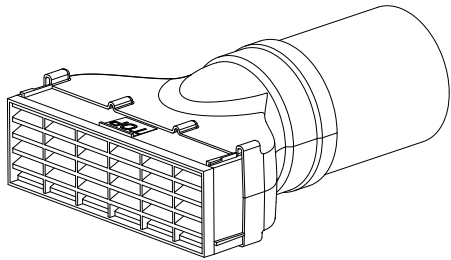


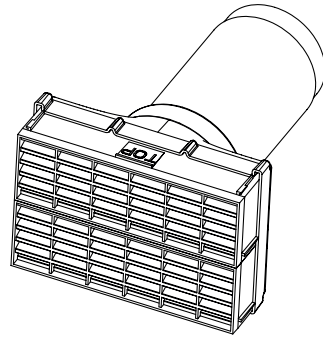
The thru...air Product Range

The thru...air range comes in four product variations:



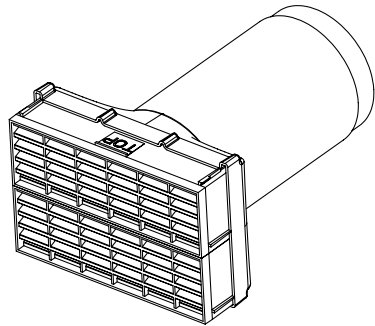
G940

Single Airbrick to
4inch Pipe



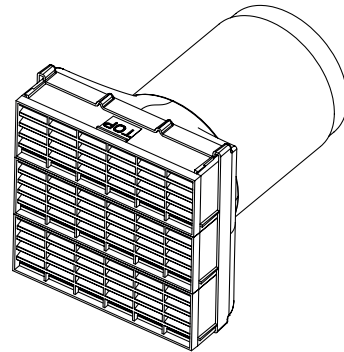
G941

Double Airbrick to
4inch Pipe



G942

Double Airbrick to
5inch Pipe



G943

Triple Airbrick to
6inch Pipe

Other products from the Manthorpe range include Cavity Trays, Cavity Closer, Loft Doors, Linear Drainage, Access Panels, Roof Ventilation, Through Wall & Underfloor Ventilation, Joist Seals and Dry Roofing products.

Manthorpe Building Products

Manthorpe House, Brittain Drive, Codnor Gate Business Park, Ripley, Derbyshire DE5 3ND

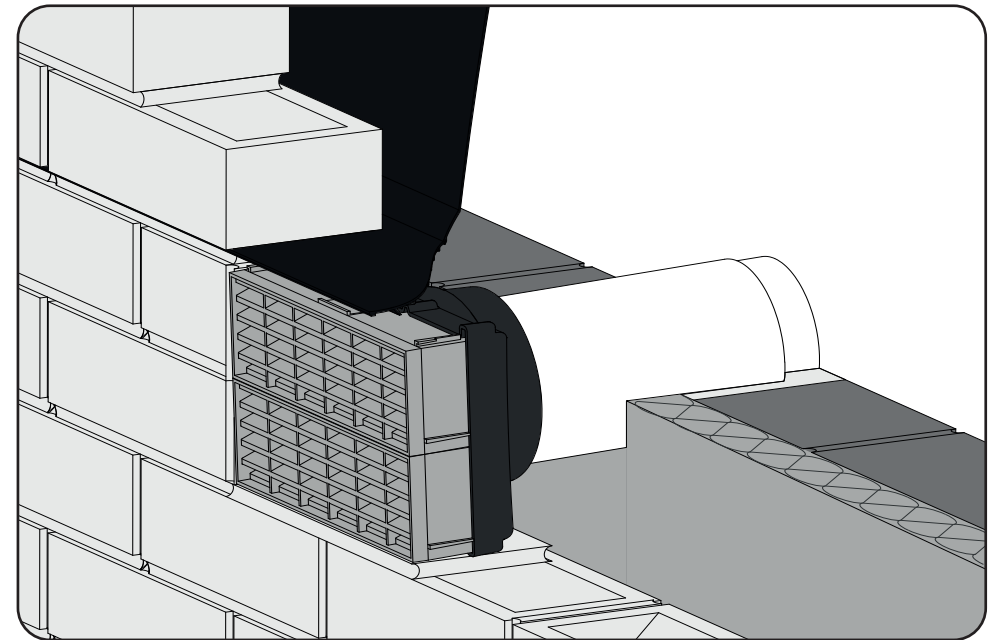
T: (01773) 303 000 F: (01773) 303 300 E: mbp.care@manthorpebp.co.uk

W: <http://www.manthorpebp.co.uk>

Manthorpe

thru...air[®] Fitting Instructions

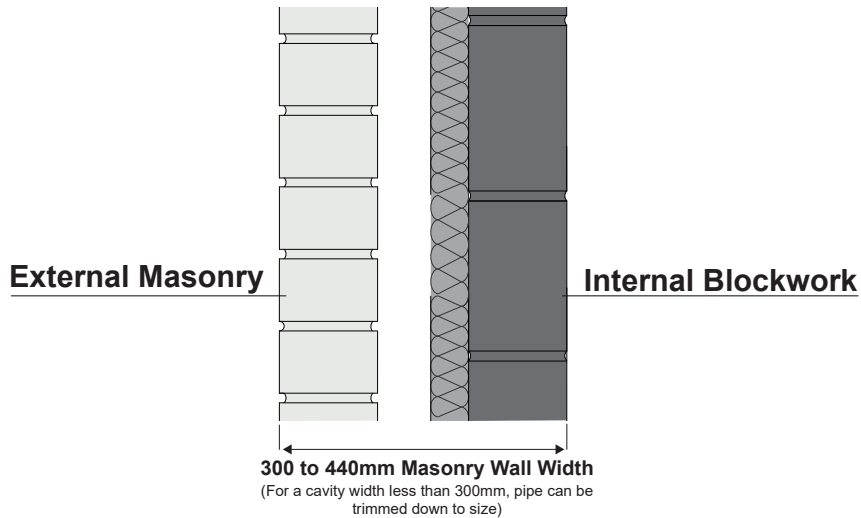
mbp-1211-00-B



Description

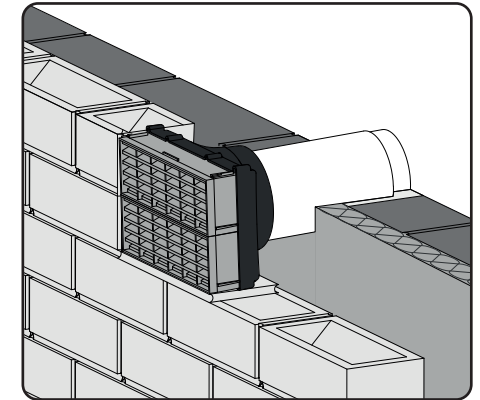
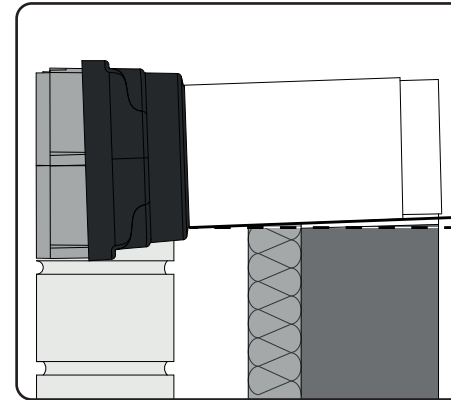
The **thru...air** range is designed to provide a ventilation outlet/inlet using a 4/5/6inch telescopic pipe to a Manthorpe single, double or triple airbrick. The product allows for an extraction system to be conveniently built into the brickwork, eliminating the need for retrospective core drilling. The telescopic element allows for the installer to extend or reduce the length of the pipe to suit the thickness of the wall and ducting connection.

Installation Requirements

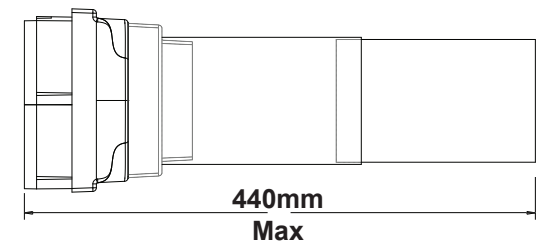
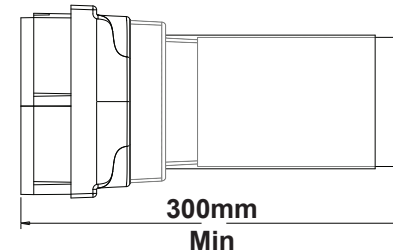


Key Information

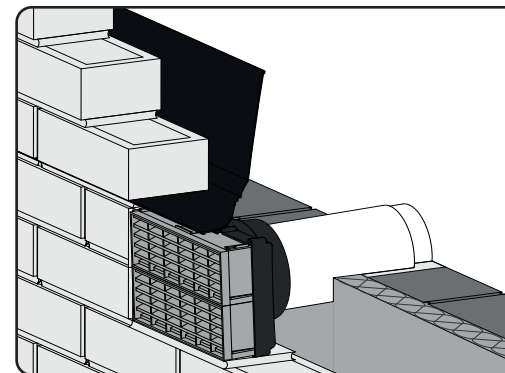
Product Code	G940	G941	G942	G943
Geometric Free Airflow	6,400mm ²	7,400mm ²	11,100mm ²	16,200mm ²
Box Weight /kg	0.5	0.6	0.7	0.9
Colour	Terracotta / Buff / Blue Black (Brown / White / Grey) Made to order)			
Packing Details	1 per box			



1. Build the **thru...air** product into the masonry as it proceeds. The product must be installed angled slightly down towards the external brickwork to allow for any condensation build up to drain out via the Airbricks.



2. Extend the telescopic pipe to suit the width of the cavity wall and needs of the extractor system being installed.



3. If required, finish off the detail using a suitable cavity tray including weep vents over the vent.