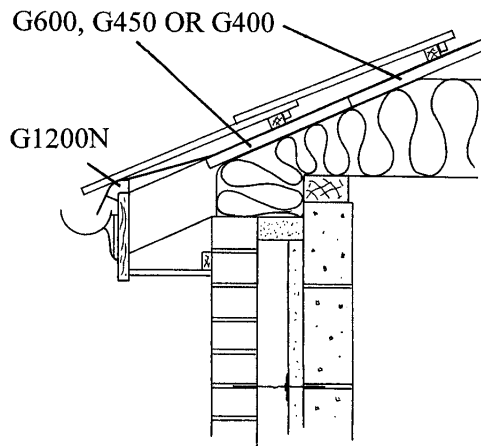
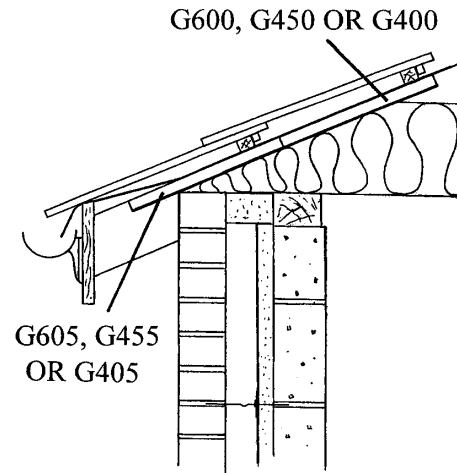


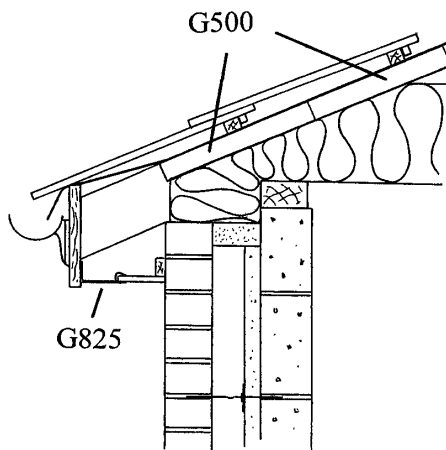
## ROOF VENTILATION PANELS IN LOW PITCH SITUATIONS.



25° CLOSED EAVES  
2 PANELS REQUIRED



25° OPEN EAVES  
2 PANELS REQUIRED



25° CLOSED EAVES  
2 G500 ROLLS REQUIRED  
OR G502 ROLL PANEL

### Description:

When roof pitches are below 31 degrees it will be necessary to use two roof ventilation panels above cross flow ventilation panels or a roll panel to enable a clear air flow passage over the roof insulation.

In the case of fly screen panels it will be necessary to use one fly screen panel and one cross flow eaves panel.

### Fitting Instructions:

The first Cross Flow Panel Ventilator or Fly screen Eaves Panel Ventilator should be fixed in position ensuring that the insulation is firmly tucked into the eaves and around the wall plate, the second eaves panel should then be positioned immediately behind the first panel and again fixed in position to maintain the clear air flow passage.

If a G500 Roll Panel is being used this again should be doubled up but with another G500 Roll Panel positioned behind the first roll ensuring that the castellations interlock creating a clear air path into the roof space void.

Alternatively the G502 Roll Panel Ventilator can be used as this has a width of 650mm.

All roof ventilation panels should be used in conjunction with other Manthorpe products to provide a complete roof ventilation system.

### CALCULATIONS BASED ON 200mm OF INSULATION

MANTHORPE BUILDING PRODUCTS LTD  
MANTHORPE HOUSE  
BRITAIN DRIVE  
CODNOR GATE BUSINESS PARK  
RIPLEY  
DERBYSHIRE DE5 3ND

TEL: 01773 303 000  
FAX: 01773 303 300  
EMAIL:  
[mbp.care@manthorpebp.co.uk](mailto:mbp.care@manthorpebp.co.uk)  
WEB:  
[www.manthorpebp.co.uk](http://www.manthorpebp.co.uk)

DRN M.A

Date 24.06.19

DRG No

Issue

The company maintains a policy of continuous development of its product range and reserves the right to amend the specification without notice.

**MBP 8148**

**B**