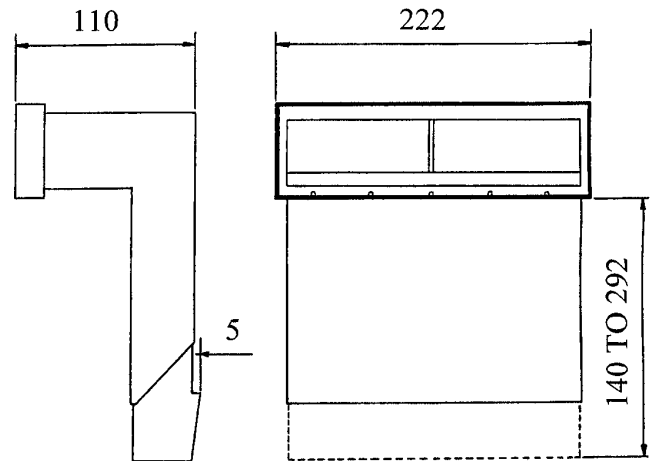
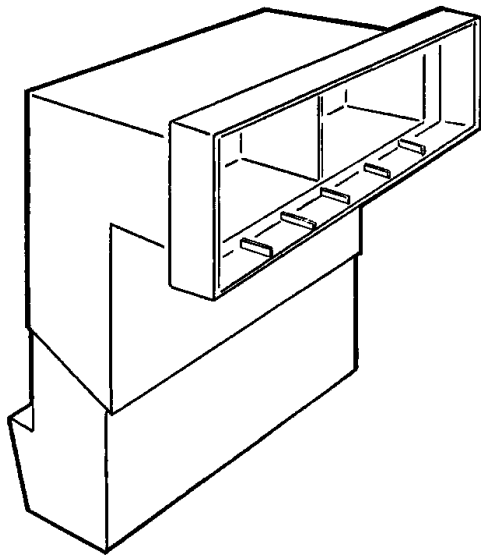
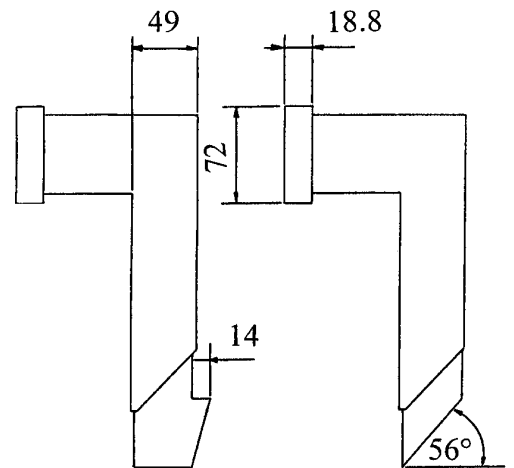


### Telescopic Under Floor Void Ventilator

CODE **G970**  
**A, B AND C**



TYPE C  
85mm  
CAVITY



TYPE A  
100mm  
CAVITY

TYPE B  
50 - 75mm  
CAVITY

#### Description:

The G970 Telescopic Under Floor Void Ventilator is designed to provide a clear airflow passage to the void underneath a suspended floor when used with a Roger Bullivant "T" Beam.

Available in three different types to suit 50 to 75mm, 85mm and 100mm cavity widths.

The telescopic feature enables the G970 to adjust vertically between three and five brick courses although a G961 Vertical Extension Sleeve is also available for further multiples of two course adjustments as required. The front aperture is able to take a G930 Combination Airbrick or a clay airbrick, albeit with a reduced airflow.

COLOURS	Black
PACKING DETAILS	To Order
MATERIAL	Polypropylene
MANUFACTURING PROCESS	Injection Moulded
FREE AIRFLOW	6,600mm <sup>2</sup>

MANTHORPE BUILDING PRODUCTS LTD  
MANTHORPE HOUSE  
BRITTAIN DRIVE  
CODNOR GATE BUSINESS PARK  
RIPLEY  
DERBYSHIRE DE5 3ND

TEL: 01773 303 000  
FAX: 01773 303 300  
EMAIL:  
[mbp.care@manthorpebp.co.uk](mailto:mbp.care@manthorpebp.co.uk)  
WEB:  
[www.manthorpebp.co.uk](http://www.manthorpebp.co.uk)

DRN M.L.W.O Date 25.06.19

The company maintains a policy of continuous development of its product range and reserves the right to amend the specification without notice.

DRG No

**MBP 8160**

Issue

**B**