

5. Replace the pipe seal flush against the plasterboard and secure into place using suitable screws. On uneven or textured walls, a mastic or decorators caulk should be used around the perimeter to ensure an air tight seal

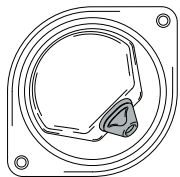
6. Fix the radiator to the wall and connect both pipes following the manufacturers instructions.

# Manthorpe

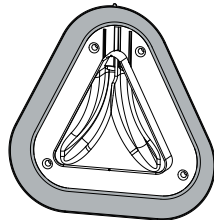
## GRS-FF Face-Fix Radiator Pipe Guide & Seal

### Fitting Instructions

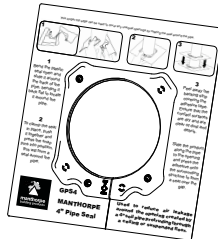
**Also available in the Manthorpe pipe seal range:**



Single Exit Radiator  
Pipe Guide & Seal  
Code: GRS-SE



Radiator Pipe  
Guide & Seal  
Code: GRS



4" Soil Pipe Seal  
Code: GPS4

Manufactured in the U.K.

Other products from the Manthorpe Range include Cavity Trays, Cavity Closer, Loft Doors, Linear Drainage, Access Panels, Roof Ventilation, Through Wall & Underfloor Ventilation, Joist Seals and Dry Roofing Products.



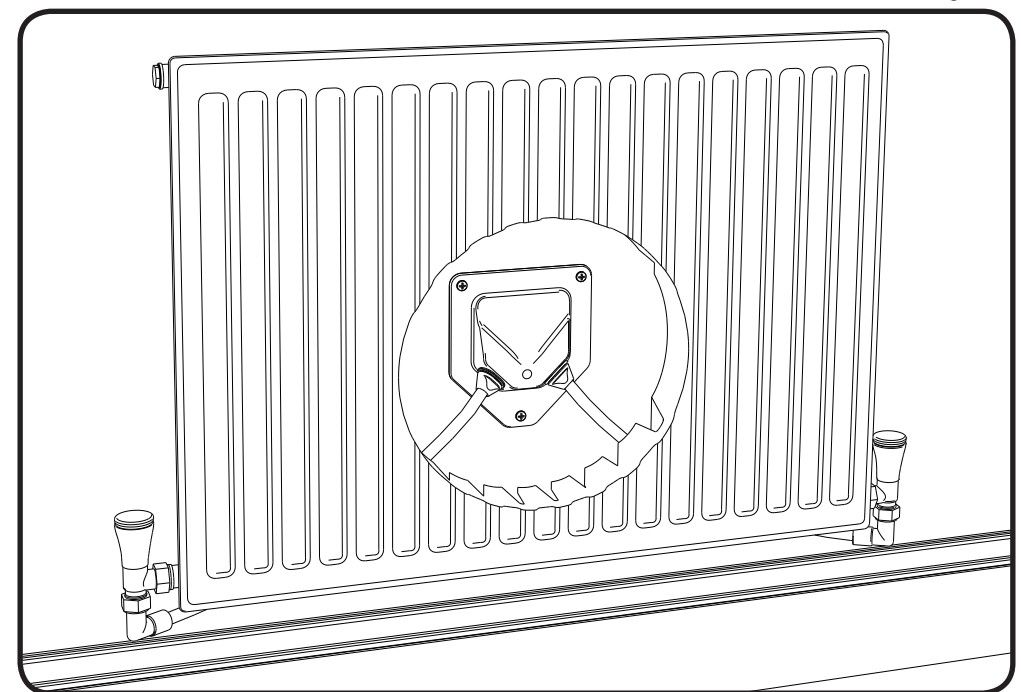
### Manthorpe Building Products Limited

Manthorpe House, Brittain Drive, Codnor Gate Business Park, Ripley, Derbyshire DE5 3ND

T: (01773) 303 000 F: (01773) 303 300 E: mbp.care@manthorpebp.co.uk

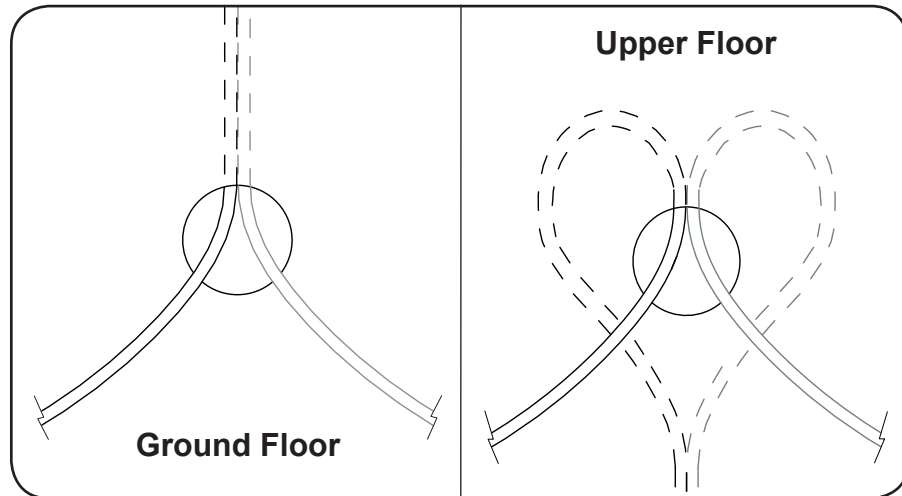
W: <http://www.manthorpebp.co.uk>

MBP8250g

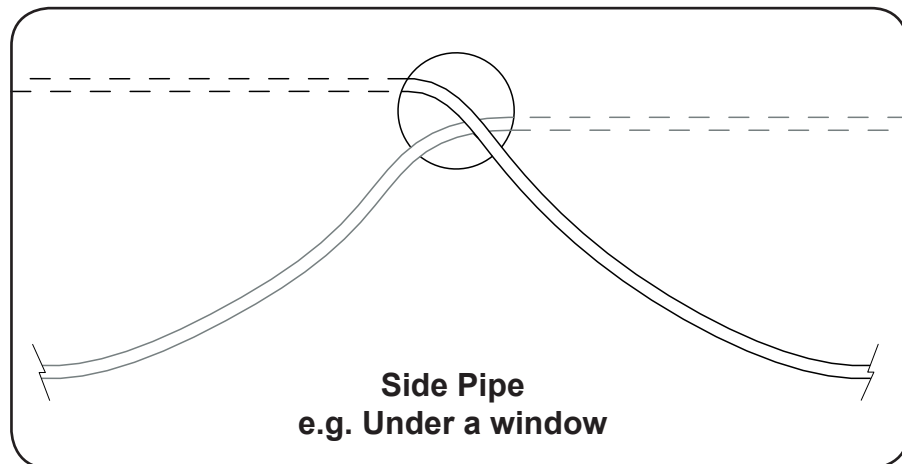


# Installation

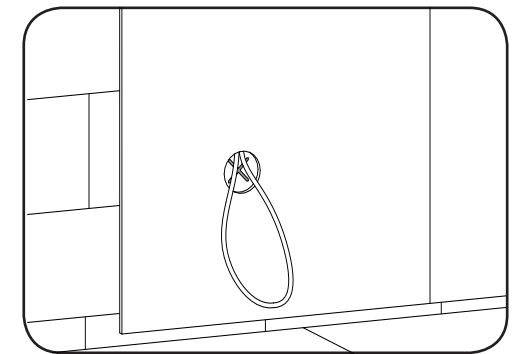
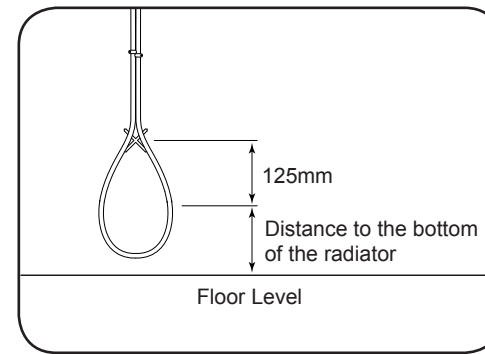
The GRS-FF has the versatility to be fitted in a wide range of details. The face-fix nature of the product enables the user to fit it to both block and studded wall details without the need for any additional preparation work. The GRS-FF will work with pipework coming from above, below or either side (see below).



————— In front of the dry-line  
- - - - - Behind the dry-line

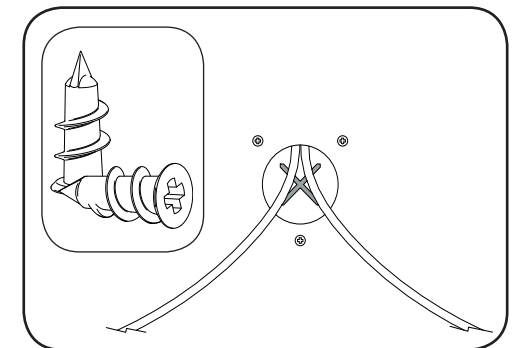
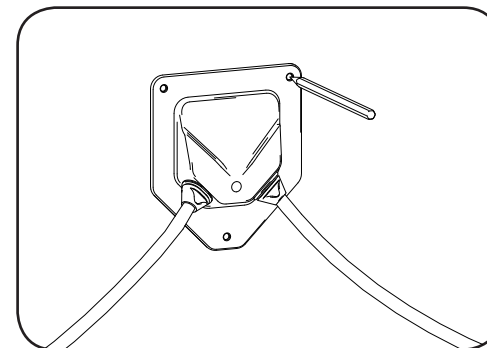


When installing pipes from the side, the pipes must be crossed over at the exit point as shown above.



1. Run the pipes and secure to the wall. Mark a cross on the wall, the centre of which will be 125mm above the bottom edge of the radiator. This cross will mark the centre of the hole which the pipes will exit through the dry-lining material.

2. When dry-lining, cut a 90mm circular hole using the centre of the cross as the centre point for the hole (for best results, use a 90mm hole-saw). Pull the loop of pipe through the hole and plaster as normal, being careful not to plaster over the hole.



3. Cut the pipe halfway along the loop and thread each of the pieces through the correct grommets in the radiator pipe seal.

4. Pull the radiator pipe seal away from the wall and screw a self-drive plug into the plasterboard at each of the points marked.

Push the product flush with the plastered wall, centralise and level the product around the hole. Mark the centres of each of the holes.

**Warning: Take care not to pierce the pipes behind the dry-lining when driving in the self-drive plugs.**