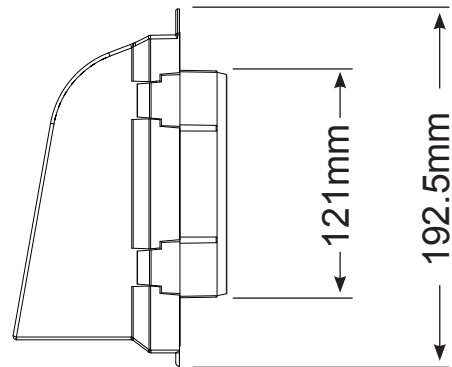
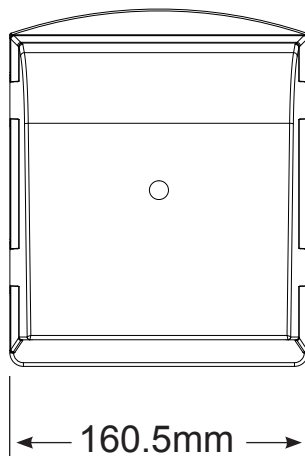
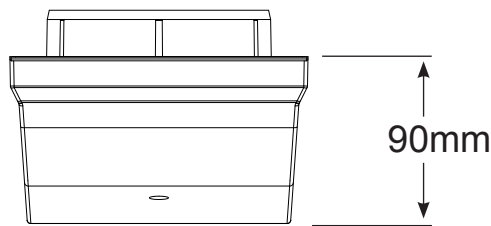


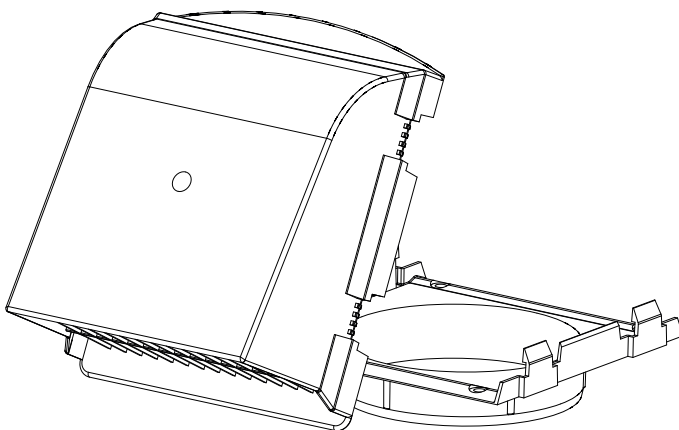
## 5" Full Hood External Cowl Vent

CODE G905



### Description

The Manthorpe cowl vent is designed for use on the exterior of a building to provide ventilation to an internal space. The extended hood design of the cowl prevents a visible light path from inside to and out minimise the amount of uncomfortable draft, reduces light and sound transfer from outside the property and acts as a barrier against wind driven rain whilst still providing a free area (measured) of 100cm<sup>2</sup>. The extended cover of the G905 cowl is recommended for use in exposed areas, providing larger surface protection from the elements. It should be fitted in conjunction with Manthorpes' 125mm diameter pipe duct and other products in the range to provide an unobstructed channel through the wall structure.



### Specification

Colours	Brown Terracotta
Packing Details	20 per box
Weight	0.153 kg
Material	Polypropylene
Manufacturing process	Injection moulded

MANTHORPE BUILDING PRODUCTS LTD  
 MANTHORPE HOUSE  
 BRITTAIN DRIVE  
 CODNOR GATE BUSINESS PARK  
 RIPLEY  
 DERBYSHIRE DE5 3ND

TEL: 01773 303 000  
 FAX: 01773 303 300  
 EMAIL:  
 mbp.care@manthorpebp.co.uk  
 WEB  
 www.manthorpebp.co.uk

DRN B.H. Date 19.06.19

The company maintains a policy of continuous development of its product range and reserves the right to amend the specification without notice.

DRG No

**MBP 8275**

Issue

**B**