

### REDSHIELD® Cavity Barrier

CODE RED/XX/XXX

#### Description

**REDSHIELD®** is a true one-product cavity barrier which fulfils the fire integrity and insulation requirements of the Building Regulations Part B without relying on additional lining materials along with providing the necessary thermal break and DPC properties of a cavity closer.

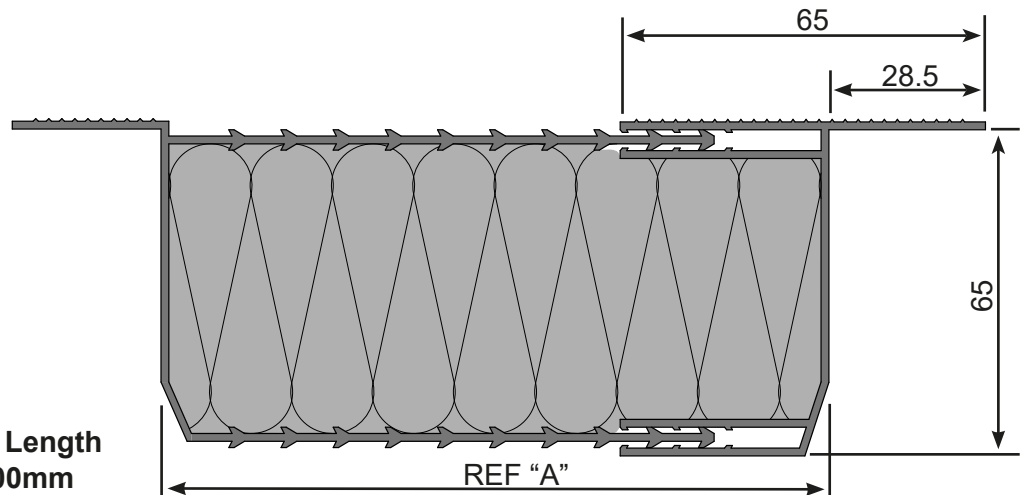
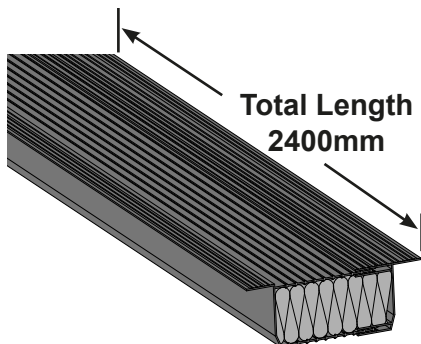
The unique construction allows the product to be adaptable to suit various cavity sizes, helping to maintain a continuous seal to a range of cavity widths especially those that may 'stray' in size.

The construction incorporates a compressed mineral fibre wool insulating core which provides the 30 minutes' integrity and 15 minutes' insulation of a cavity barrier as well as providing a solution to cold bridging problems acting as a thermal cavity closer and DPC.

Easily incorporated into new build or refurbishment situations, with profiles available for standard and rebated details and no special fixing requirements. Once installed **REDSHIELD®** will last the lifetime of the building.

#### Double Flange:

For standard reveal details



PRODUCT CODE	DIMENSION REFERENCE "A"	TO FIT CAVITY WIDTH OF
RED/50/70	50 - 71.4 +/-2mm	50-70mm
RED/70/90	70 - 91.4 +/-2mm	70-90mm
RED/90/110	90 - 111.4 +/-2mm	90-110mm
RED/110/130	110 - 131.4 +/-2mm	110-130mm

<b>PART LENGTHS</b>	2400mm
<b>PACKING DETAILS</b>	3 lengths per pack
<b>MATERIAL</b>	PVCu Outer Casing Mineral Wool Insulation
<b>FIRE RATING</b>	30 mins integrity and 15 mins insulation when tested to BS EN 1366-4:2006+A1:2010
<b>TEST REPORT</b>	Warrington Fire Research No. 413654
<b>COLOUR</b>	Red
<b>K VALUE</b>	0.039 W/mk

MANTHORPE BUILDING PRODUCTS LTD  
MANTHORPE HOUSE  
BRITAIN DRIVE  
CODNOR GATE BUSINESS PARK  
RIPLEY  
DERBYSHIRE DE5 3ND

TEL: 01773 303 000  
FAX: 01773 303 300  
EMAIL: mbp.care@manthorpebp.co.uk  
WEB: www.manthorpebp.co.uk

DRN K.B. Date: 17/02/20

The company maintains a policy of continuous development of its product range and reserves the right to amend the specification without notice.

DRG No

**MBP 8360**

Issue

**B**