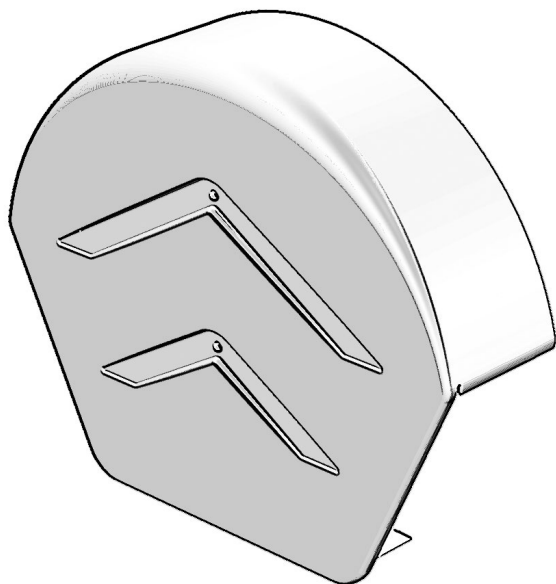


SmartVerge® Dry Verge System - Ridge End Caps

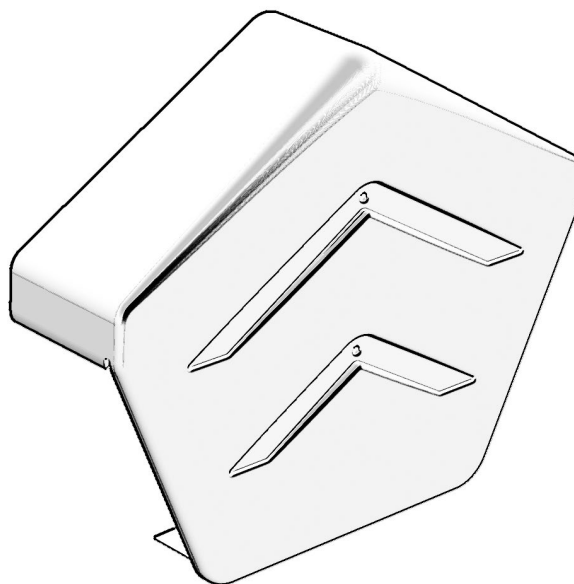
Code: **GDV-END-A/R**

### Product Codes:

Round Ridge End Cap	GDV-END-R
Angled Ridge End Cap	GDV-END-A



**Round Ridge End Cap**



**Angled Ridge End Cap**

### Description:

The Manthorpe Ridge End Caps work in conjunction with the Manthorpe SmartVerge® Dry Verge System and SmartVerge® Linear Dry Verge System to provide a neat and attractive finish for most makes of Round and Angled Concrete Ridge Tiles.

The Ridge End Caps provide durable protection at each end of the ridge, eliminating problems caused by water penetration whilst preventing the entry of birds and large insects into the roof cavity.

Each Ridge End Cap is supplied with fixings and fitting instructions and can be quickly and easily fixed directly to the Ridge Batten(s) in all weather conditions.

### Features:

**Easy to fix and maintenance free.**

**Mortar-free solution allows fixing in all weather conditions.**

**Suitable for new build or refurbishment situations on roofs of 15° to 55° pitch.**

**Prevents entry of birds and large insects into the roof cavity.**

**Suitable for most makes of half round, segmental, universal angle & modern ridge tiles in concrete or clay.**

**Complies with BS 5534 requirements for mechanical fixing.**

MANTHORPE BUILDING PRODUCTS LTD  
MANTHORPE HOUSE  
BRITAIN DRIVE  
CODNOR GATE BUSINESS PARK  
RIPLEY  
DERBYSHIRE DE5 3ND

TEL: 01773 303 000  
FAX: 01773 303 300  
EMAIL: [mbp.care@manthorpebp.co.uk](mailto:mbp.care@manthorpebp.co.uk)  
WEB: [www.manthorpebp.co.uk](http://www.manthorpebp.co.uk)

DRAWN	ISSUE DRAWN
R.P. 14.02.05	B.H. 18/12/2024
The company maintains a policy of continuous development of its product range and reserves the right to amend the specification without notice.	

DRG No

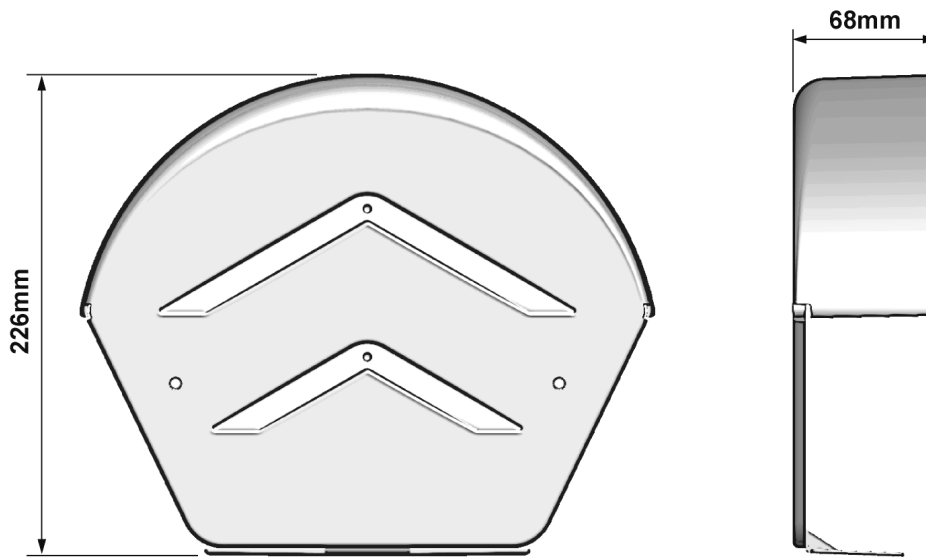
**MBP 8227**

Issue

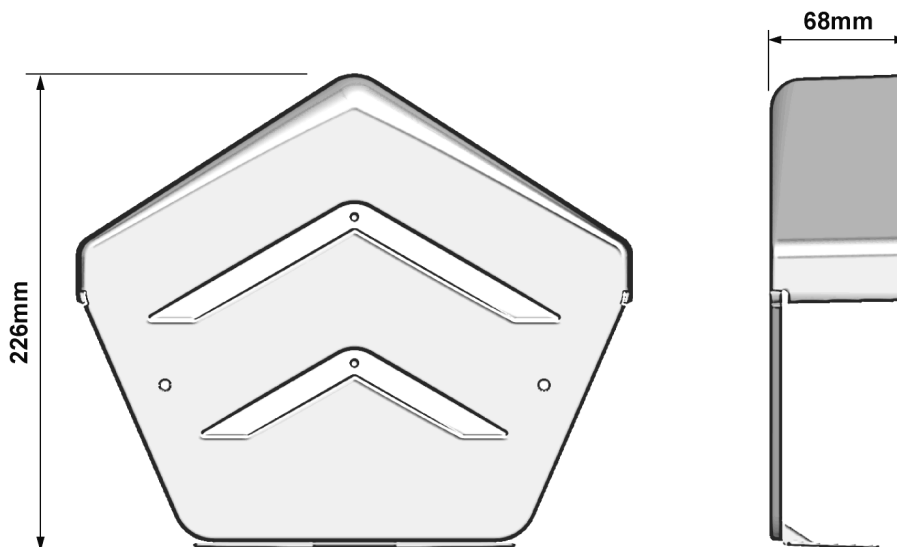
**06**  
1 of 2

SmartVerge® Dry Verge System - Ridge End Caps

Code: **GDV-END-A/R**



**Round Ridge End Cap (GDV-END-R)**



**Angled Ridge End Cap (GDV-END-A)**

PACKING DETAILS	Ridge End Pack contains 2 Round <u>or</u> Angled Ridge End Caps and 4 screws 10 Packs per Box.
WEIGHT	4.5kg per Box
MATERIAL	Unplasticized Polyvinyl Chloride (uPVC)
MANUFACTURING PROCESS	Injection Moulded

COLOUR VARIATIONS	Terracotta (TR)	
	Dark Brown (BR)	
	Slate Grey (GR)	
	Black (BL)	

MANTHORPE BUILDING PRODUCTS LTD  
MANTHORPE HOUSE  
BRITTAIN DRIVE  
CODNOR GATE BUSINESS PARK  
RIPLEY  
DERBYSHIRE DE5 3ND

TEL: 01773 303 000  
FAX: 01773 303 300  
EMAIL:  
mbp.care@manthorpebp.co.uk  
WEB:  
www.manthorpebp.co.uk

DRAWN	ISSUE DRAWN
R.P. 14.02.05	B.H. 18/12/2024

The company maintains a policy of continuous development of its product range and reserves the right to amend the specification without notice.

DRG No

**MBP 8227**

Issue

**06**  
2 of 2