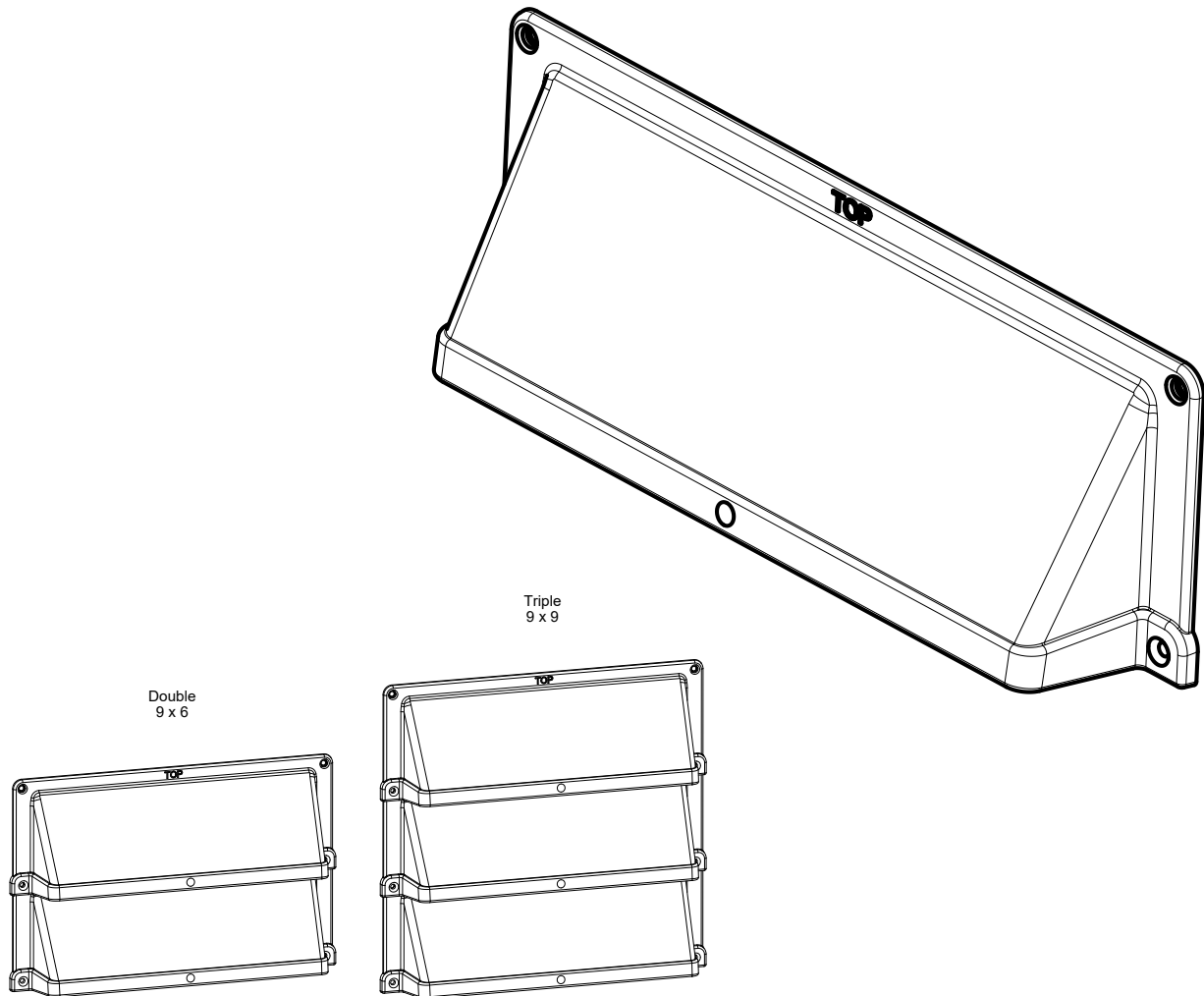


Airbrick Combination Blast Cowl

Code: **G936**



### Description

The G936 Airbrick Combination Blast Cowl has been designed to provide additional protection against high winds and the ingress of driving rain in severe conditions to the Manthorpe G930 airbrick and other types of airbrick ventilators used on external walls.

The cowl incorporates a unique overlapping feature (patent pending) which allows for multiple 9" x 3" cowls to be joined together to suit 9" x 6" and 9" x 9" airbrick configurations.

### Installation

The cowl should be fixed over airbrick vent using suitable fixing for the surrounding wall construction. Multiples of the products can be joined together to use 9"x6" and 9"x9" air bricks.

MANTHORPE BUILDING PRODUCTS LTD  
 MANTHORPE HOUSE  
 BRITTAIN DRIVE  
 CODNOR GATE BUSINESS PARK  
 RIPLEY  
 DERBYSHIRE DE5 3ND

TEL: 01773 303 000  
 FAX: 01773 303 300  
 EMAIL:  
 mbp.care@manthorpebp.co.uk  
 WEB:  
 www.manthorpebp.co.uk

DRAWN	ISSUE DRAWN
D.W. 28/03/24	D.W. 28/03/24

The company maintains a policy of continuous development of its product range and reserves the right to amend the specification without notice.

DRG No

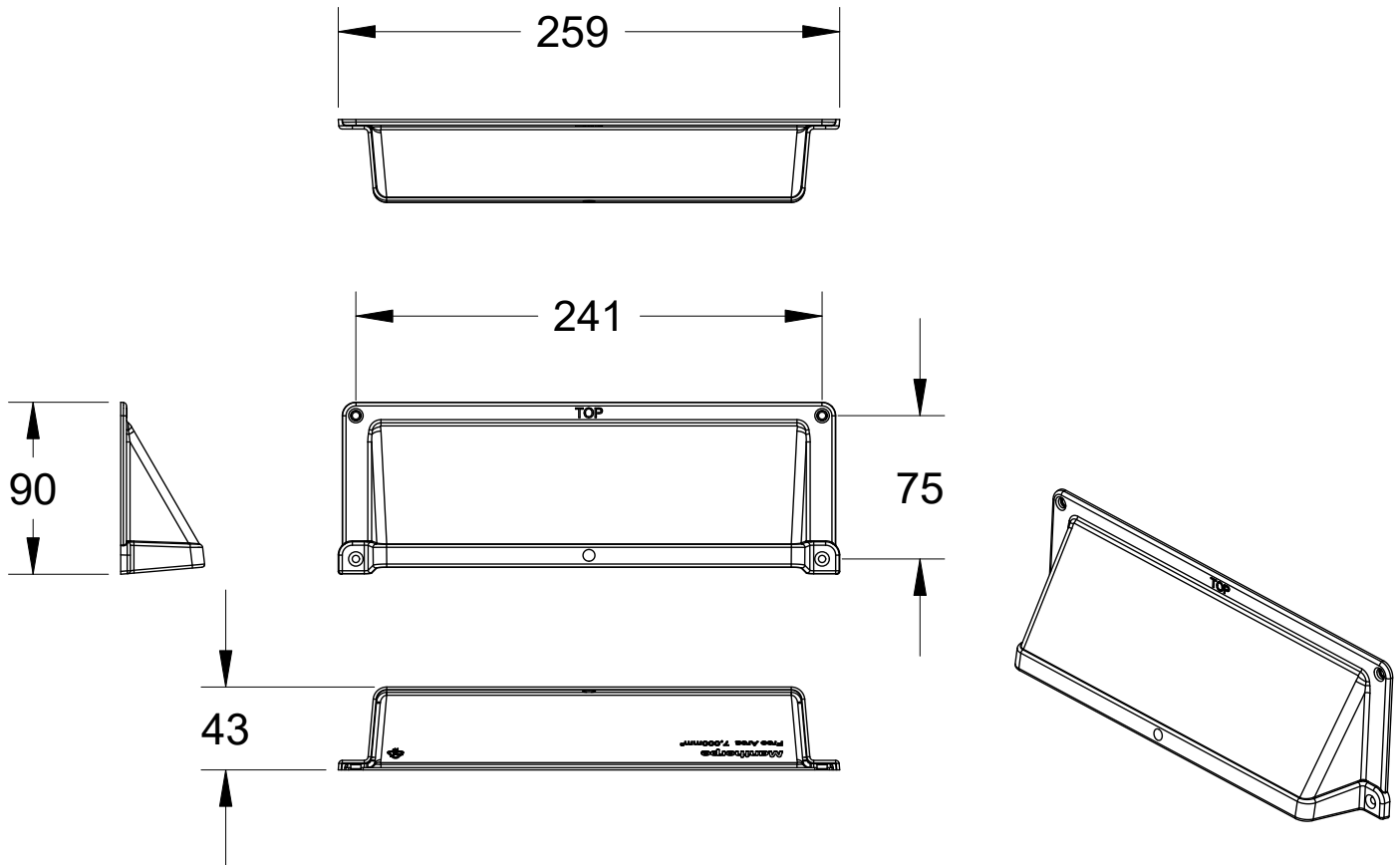
**MBP 8391**

Issue

**01**  
1 of 2

Airbrick Combination Blast Cowl

Code: **G936**



<b>Packing Detail</b>	12 per box
<b>Box Weight</b>	662g
<b>Part Weight</b>	46g
<b>Free Area</b>	7000 mm <sup>2</sup> per cowl

<b>Material</b>	Polypropylene
<b>Manufacturing</b>	Injection Moulding
<b>Colours</b>	(BL) Black (GR) Grey (BR) Brown (TR) Terracotta (BF) Buff (BLB) Blue/Black (WH) White

MANTHORPE BUILDING PRODUCTS LTD  
MANTHORPE HOUSE  
BRITAIN DRIVE  
CODNOR GATE BUSINESS PARK  
RIPLEY  
DERBYSHIRE DE5 3ND

TEL: 01773 303 000  
FAX: 01773 303 300  
EMAIL:  
mbp.care@manthorpebp.co.uk  
WEB:  
www.manthorpebp.co.uk

<b>DRAWN</b>	<b>ISSUE DRAWN</b>
D.W. 28/03/24	D.W. 28/03/24

The company maintains a policy of continuous development of its product range and reserves the right to amend the specification without notice.

<b>DRG No</b>	<b>Issue</b>
<b>MBP 8391</b>	<b>01</b> 2 of 2