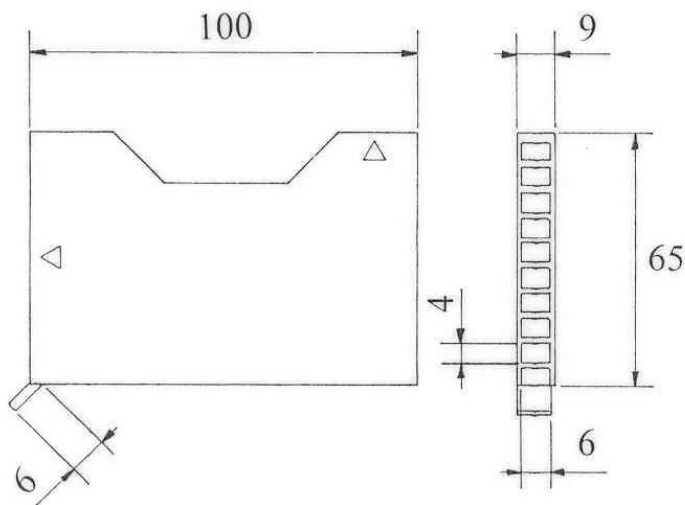
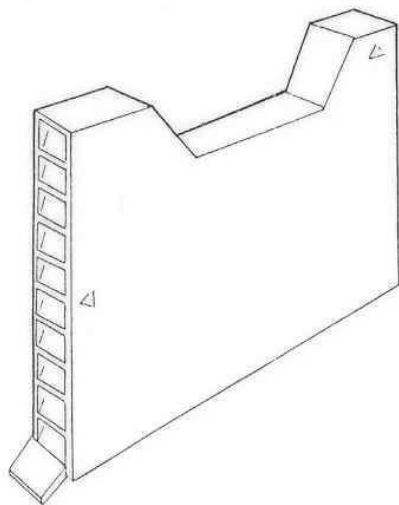


Weep Vent

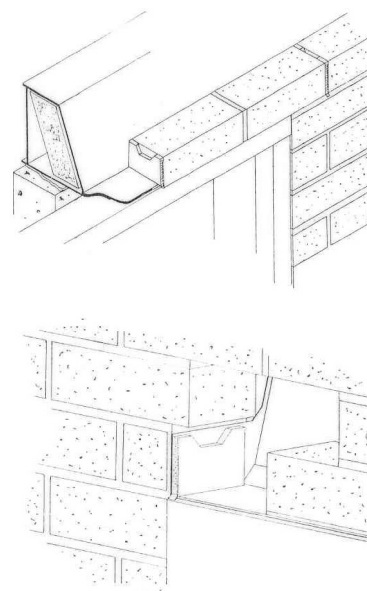
Code: **G950**



Description

The G950 Weep Vent can be used as an outlet point for moisture to drain lintels above window and door openings along with cavity trays at ground level or above roof line/parapet abutments. They can also be used to provide ventilation to cavity wall details such as those found with timber frame constructions, further details can be found in BS 5250 section 11.7.

The vent has a baffled grill to help reduce the ingress of driving rain and wind while incorporating an insect grill and drip lip. The grill is specifically sized to prohibit large insects gaining access but wide enough not to be blocked by debris, paint or water droplets as per the guidance of BS 5250 11.4.1.1.



Fitting Guide

In line with NHBC Standards 6.1.17 weep holes to cavity walls should be provided:

- to cavity trays above openings and penetrations through the wall, at least two per opening at not more than 450mm centres.
- at least one to the bottom tray in a series of stepped cavity trays, eg at pitched roof abutments.
- on cavity trays in parapet walls or at horizontal roof abutments at not more than 1m centres.
- to cavity trays above inset gas meter boxes, a min. of 180mm from the edge of the meter box at not more than 1m centres.

Colours	Terracotta, Buff, Black, Blue/Black, Brown, Clear, Grey, White
Packing Details	50 per box
Weight	0.019kg per part 1.032kg per box
Material	Polypropylene
Manufacturing Process	Injection Moulded
Free Vent Area	220mm ²

MANTHORPE BUILDING PRODUCTS LTD
MANTHORPE HOUSE
BRITAIN DRIVE
CODNOR GATE BUSINESS PARK
RIPLEY
DERBYSHIRE DE5 3ND

TEL: 01773 303 000
FAX: 01773 303 300
EMAIL:
mbp.care@manthorpebp.co.uk
WEB:
www.manthorpebp.co.uk

DRAWN	ISSUE DRAWN
M.O. 01/08/03	B.H. 18/06/24
The company maintains a policy of continuous development of its product range and reserves the right to amend the specification without notice.	

DRG No

MBP 8056

Issue

03