

Twin Plate Radiator Pipe Guide & Seal

Code: **GRS-DUO**

### Description

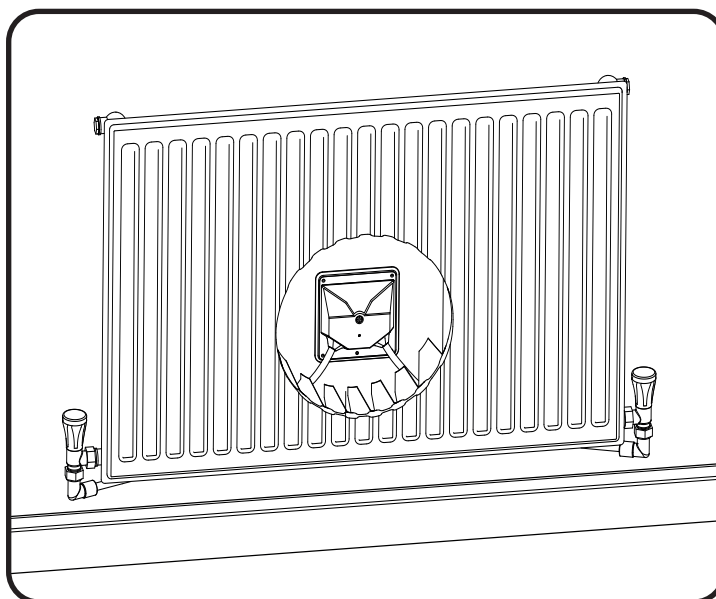
The **GRS-DUO** is designed to prevent air leakage at pipework penetrations behind a radiator that is plumbed with 10mm flexible plastic barrier pipework commonly used for central heating systems in modern buildings. Along with limiting air leakage through the penetration and producing an attractive finish to the detail, the product also acts as a guide for the pipework as it exits from behind the wall and transitions below the radiator to the valve points at the outer corners, eliminating the risk of kinks and chafing along the exposed run of pipe.

The patent pending twin plate design allows for a robust mounting point for the pipework at the first fix plumbing phase, with the subsequent penetration through the plasterboard behind the radiator then covered and sealed against air leakage during the course of the second fix.

The versatility of the system allows it to be installed in a wide range of details and with both blockwork and stud wall constructions. The unique single central fixing of the sealing cover plate can also be secured directly to the rear mount plate rather than into the surrounding plasterboard, which removes the need for plasterboard fixings near to the cut edge of the plasterboard pipework opening. The mount plate offers a series of fixing locations to allow the system to be fitted securely with a variety of plasterboard and radiator offsets.

### Specifications

<b>Packing Details</b>	20 per box (Cover & Mount pairings)
<b>Box Weight</b>	1.729 kg
<b>Part Weight</b>	
<i>Mount Plate</i>	0.034 kg
<i>Cover Plate</i>	0.042 kg
<b>Materials</b>	
<i>Mount Plate</i>	Polypropylene
<i>Cover Plate</i>	Polypropylene
<i>Cover Seal</i>	TPE
<b>Manufacturing Process</b>	Injection Moulded



### References

Building Regulations Approved Document L:  
Conservation of fuel and power



**Environmental Product Declaration Available:**

EPD HUB Number  
**HUB-1078**

MANTHORPE BUILDING PRODUCTS LTD  
MANTHORPE HOUSE  
BRITAIN DRIVE  
CODNOR GATE BUSINESS PARK  
RIPLEY  
DERBYSHIRE DE5 3ND

TEL: 01773 303 000  
FAX: 01773 303 300  
EMAIL:  
mbp.care@manthorpebp.co.uk  
WEB:  
www.manthorpebp.co.uk

<b>DRAWN</b>	<b>ISSUE DRAWN</b>
B.H. 18/05/21	B.H. 14/02/25

The company maintains a policy of continuous development of its product range and reserves the right to amend the specification without notice.

DRG No

**MBP 8372**

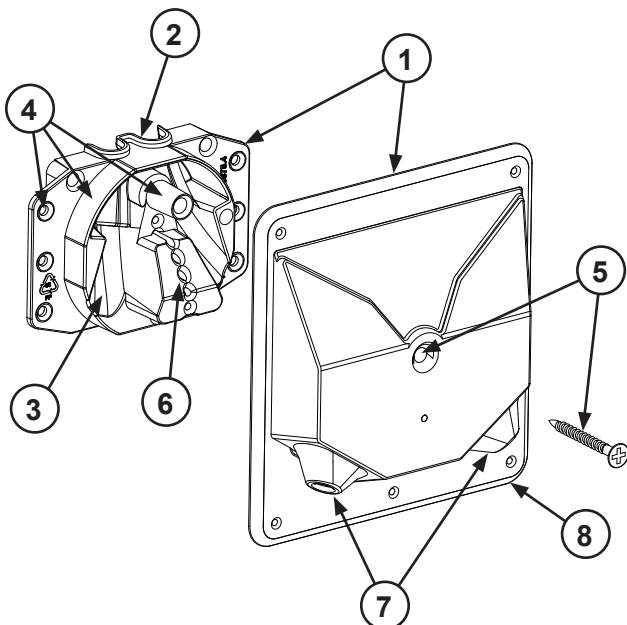
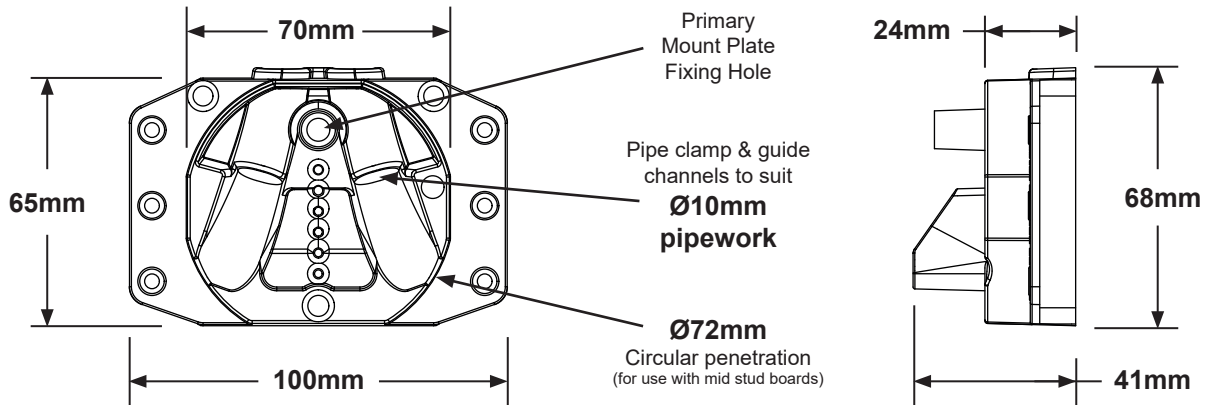
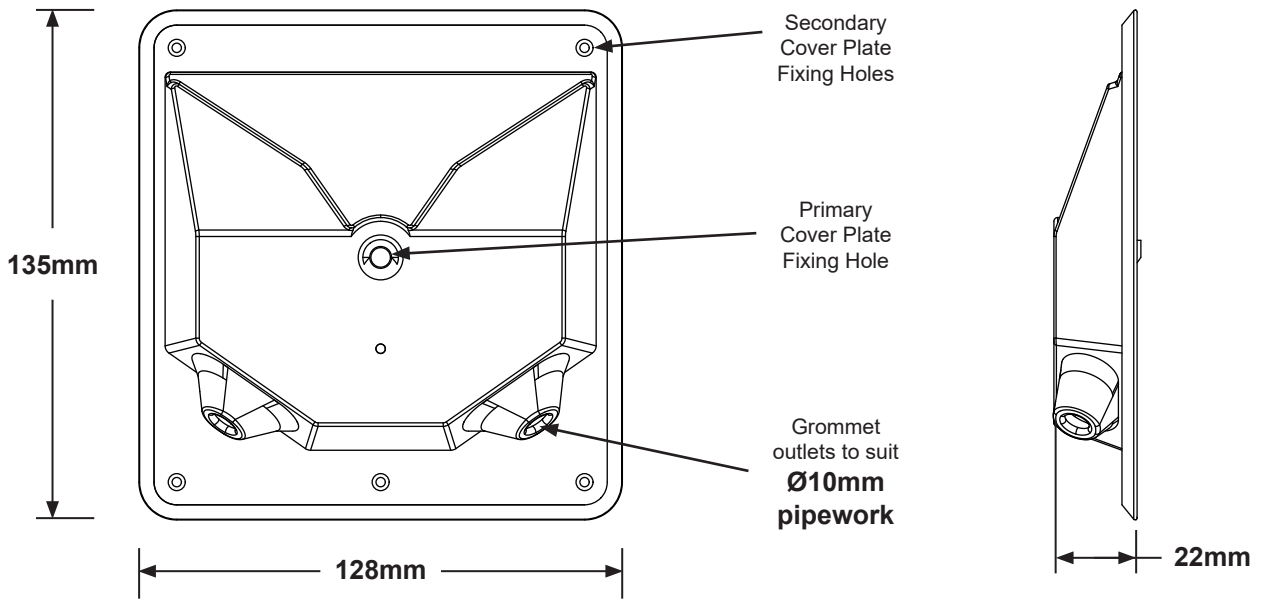
Page 1 of 3

Issue

**03**

Twin Plate Radiator Pipe Guide & Seal

Code: **GRS-DUO**



Product Features	
1	Twin plate system to maximise the benefits for first and second fix installations
2	First fix mount plate anchors the pipework at the correct point of exit from the wall
3	Guide channels help to curve the pipework towards the valves to prevent kinking
4	Mount plate can work with various wall constructions such as blockwork or stud walls
5	Second fix cover plate attached with a single screw, no plasterboard fixings required
6	Multiple pilot hole locations between the two plates allows for various installation offsets
7	Flexible grommets seal around the pipework while allowing for directional adjustability
8	Flexible sealing bead - Seals around the unit to prevent air leakage.

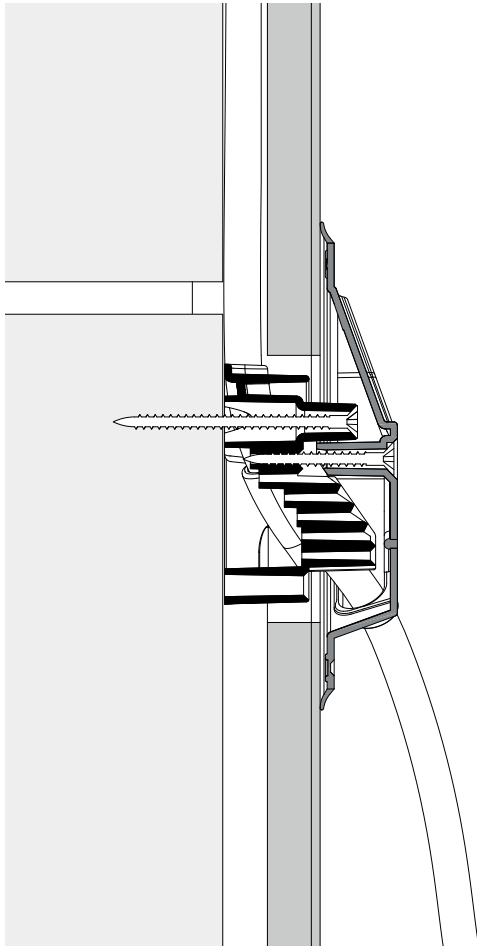
MANTHORPE BUILDING PRODUCTS LTD  
 MANTHORPE HOUSE  
 BRITAIN DRIVE  
 CODNOR GATE BUSINESS PARK  
 RIPLEY  
 DERBYSHIRE DE5 3ND

TEL: 01773 303 000  
 FAX: 01773 303 300  
 EMAIL: [mbp.care@manthorpebp.co.uk](mailto:mbp.care@manthorpebp.co.uk)  
 WEB: [www.manthorpebp.co.uk](http://www.manthorpebp.co.uk)

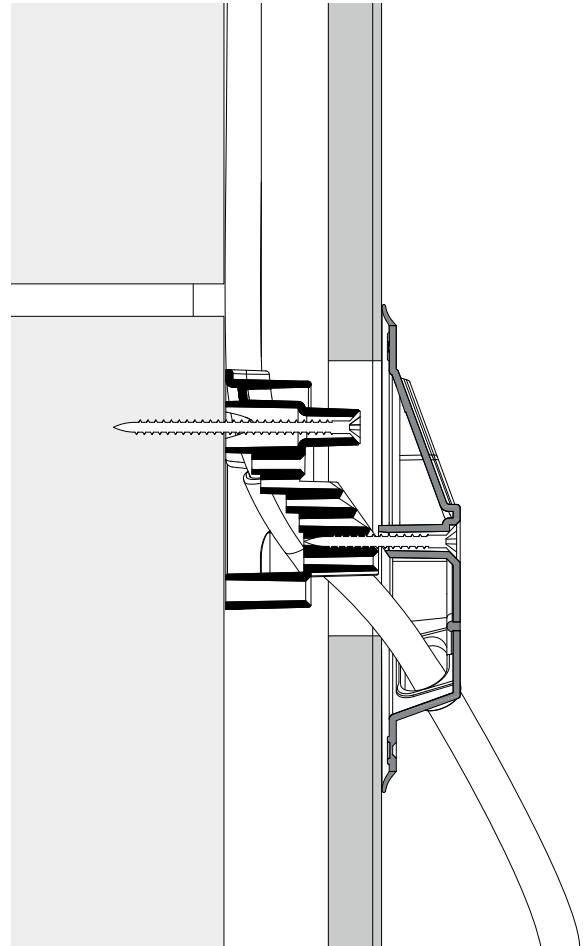
DRAWN	ISSUE DRAWN
B.H. 18/05/21	B.H. 14/02/25
The company maintains a policy of continuous development of its product range and reserves the right to amend the specification without notice.	

DRG No	Issue
<b>MBP 8372</b> Page 2 of 3	<b>03</b>

The versatility of the twin plate system allows it to be installed with a wide range of plasterboard offsets, the mount plate offers a series of fixing locations to allow the system to be fitted securely with increasing offset distances whilst maintaining the minimum bend radius of the pipe run.



Minimum Plasterboard Void Offset  
**12mm**



Larger Plasterboard Void Offsets  
**>12mm** (Illustrative 30mm)

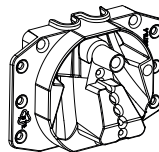
**Components within the GRS-DUO system:**

Note: Screw fixings for both the mount and cover plate not included.

**Mount Plate**

Installation Point:  
**1<sup>st</sup> Fix**

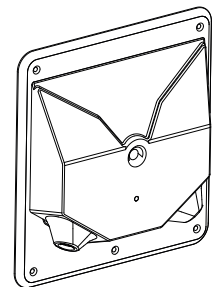
Box Qty: **20**



**Cover Plate**

Installation Point:  
**2<sup>nd</sup> Fix**

Box Qty: **20**



MANTHORPE BUILDING PRODUCTS LTD  
MANTHORPE HOUSE  
BRITAIN DRIVE  
CODNOR GATE BUSINESS PARK  
RIPLEY  
DERBYSHIRE DE5 3ND

TEL: 01773 303 000  
FAX: 01773 303 300  
EMAIL:  
mbp.care@manthorpebp.co.uk  
WEB:  
www.manthorpebp.co.uk

DRAWN	ISSUE DRAWN
B.H. 18/05/21	B.H. 14/02/25

The company maintains a policy of continuous development of its product range and reserves the right to amend the specification without notice.

DRG No	Issue
<b>MBP 8372</b>	<b>03</b>
Page 3 of 3	