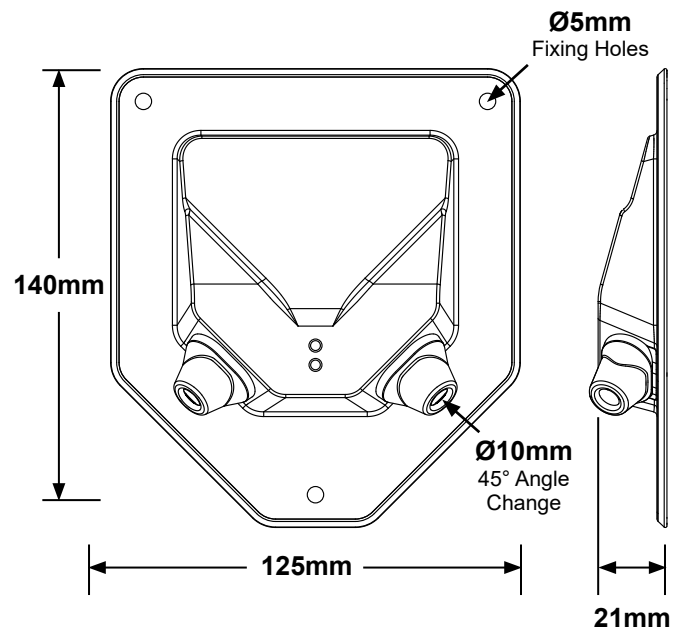
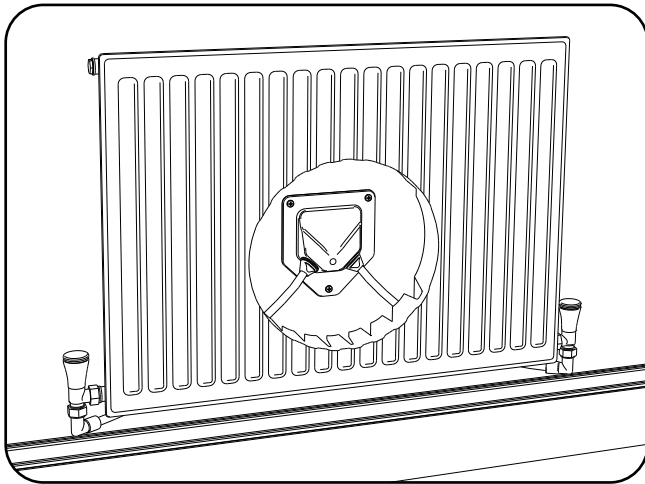


Face-Fix Radiator Pipe Guide & Seal

Code: **GRS-FF**

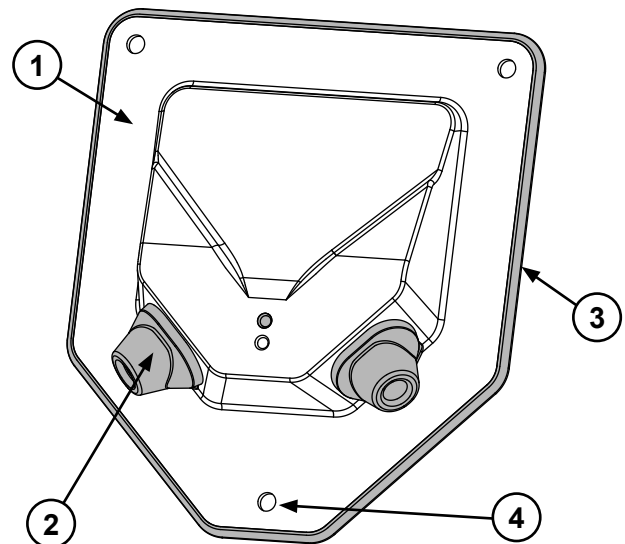


Description

The GRS-FF Face-fix Radiator Pipe Guide & Seal is designed particularly for use in studded wall details. There is no need for additional timber work, making the installation process more efficient.

The Face-fix Radiator Pipe Guide & Seal can accommodate pipework from either side and entering from above or below. The unit is slim enough to fit behind most radiators and will provide a draught seal to help achieve the new air leakage requirements of the modern building regulations.

Suitable for use with 10mm flexible pipes.



Specifications

Colours	White
Packing Details	20 per box
Weight	35.4g per unit 0.83 kg per box
Materials - Guide Seals	Polypropylene Thermoplastic Elastomer
Manufacturing Process	Injection Moulded

References

DOE: Building Regulations Part L Air Leakage

Product Features

1	Surface Mounting - For easier installation.
2	Flexible Grommets - Angle the pipes toward the radiator valves and seal around them.
3	Flexible Sealing Bead - Seals around the unit to prevent air leakage.
4	Fixing Points - 3 secure fixing points.

MANTHORPE BUILDING PRODUCTS LTD
MANTHORPE HOUSE
BRITAIN DRIVE
CODNOR GATE BUSINESS PARK
RIPLEY
DERBYSHIRE DE5 3ND

TEL: 01773 303 000
FAX: 01773 303 300
EMAIL:
mbp.care@manthorpebp.co.uk
WEB:
www.manthorpebp.co.uk

Drawn
BH 04.02.13

Issue
BH 28.10.22

DRG No

MBP 8251

Issue

06

The company maintains a policy of continuous development of its product range and reserves the right to amend the specification without notice.