

Twin Plate Radiator Pipe Guide & Seal

Code: **GRS-FF**

Description

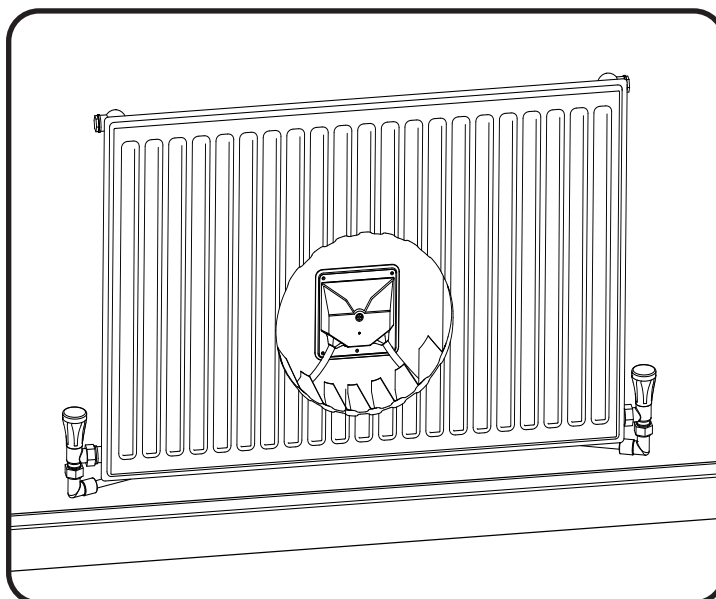
The **GRS-FF** is designed to prevent air leakage at pipework penetrations behind a radiator that is plumbed with 10mm flexible plastic barrier pipework commonly used for central heating systems in modern buildings. Along with limiting air leakage through the penetration and producing an attractive finish to the detail, the product also acts as a guide for the pipework as it exits from behind the wall and transitions below the radiator to the valve points at the outer corners, eliminating the risk of kinks and chafing along the exposed run of pipe.

The patent pending twin plate design allows for a robust mounting point for the pipework at the first fix plumbing phase, with the subsequent penetration through the plasterboard behind the radiator then covered and sealed against air leakage during the course of the second fix.

The versatility of the system allows it to be installed in a wide range of details and with both blockwork and stud wall constructions. The unique single central fixing of the sealing cover plate can also be secured directly to the rear mount plate rather than into the surrounding plasterboard, which removes the need for plasterboard fixings near to the cut edge of the plasterboard pipework opening. The mount plate offers a series of fixing locations to allow the system to be fitted securely with a variety of plasterboard and radiator offsets.

Specifications

Packing Details	20 per box <small>(Pack includes one box of Cover Plates & one box of Mount Plates)</small>
Pack Weight	1.93 kg
Mount Plate Box	1.01 kg
Cover Plate Box	0.79 kg
Part Weight	
Mount Plate	0.034 kg
Cover Plate	0.042 kg
Materials	
Mount Plate	Polypropylene
Cover Plate	Polypropylene
Cover Seal	TPE
Manufacturing Process	Injection Moulded



References

Building Regulations Approved Document L:
Conservation of fuel and power



Environmental Product Declaration Available:

EPD HUB Number
HUB-1078

MANTHORPE BUILDING PRODUCTS LTD
MANTHORPE HOUSE
BRITAIN DRIVE
CODNOR GATE BUSINESS PARK
RIPLEY
DERBYSHIRE DE5 3ND

TEL: 01773 303 000
FAX: 01773 303 300
EMAIL:
mbp.care@manthorpebp.co.uk
WEB:
www.manthorpebp.co.uk

DRAWN	ISSUE DRAWN
B.H. 06/01/23	B.H. 14/02/25
The company maintains a policy of continuous development of its product range and reserves the right to amend the specification without notice.	

DRG No

MBP 8378

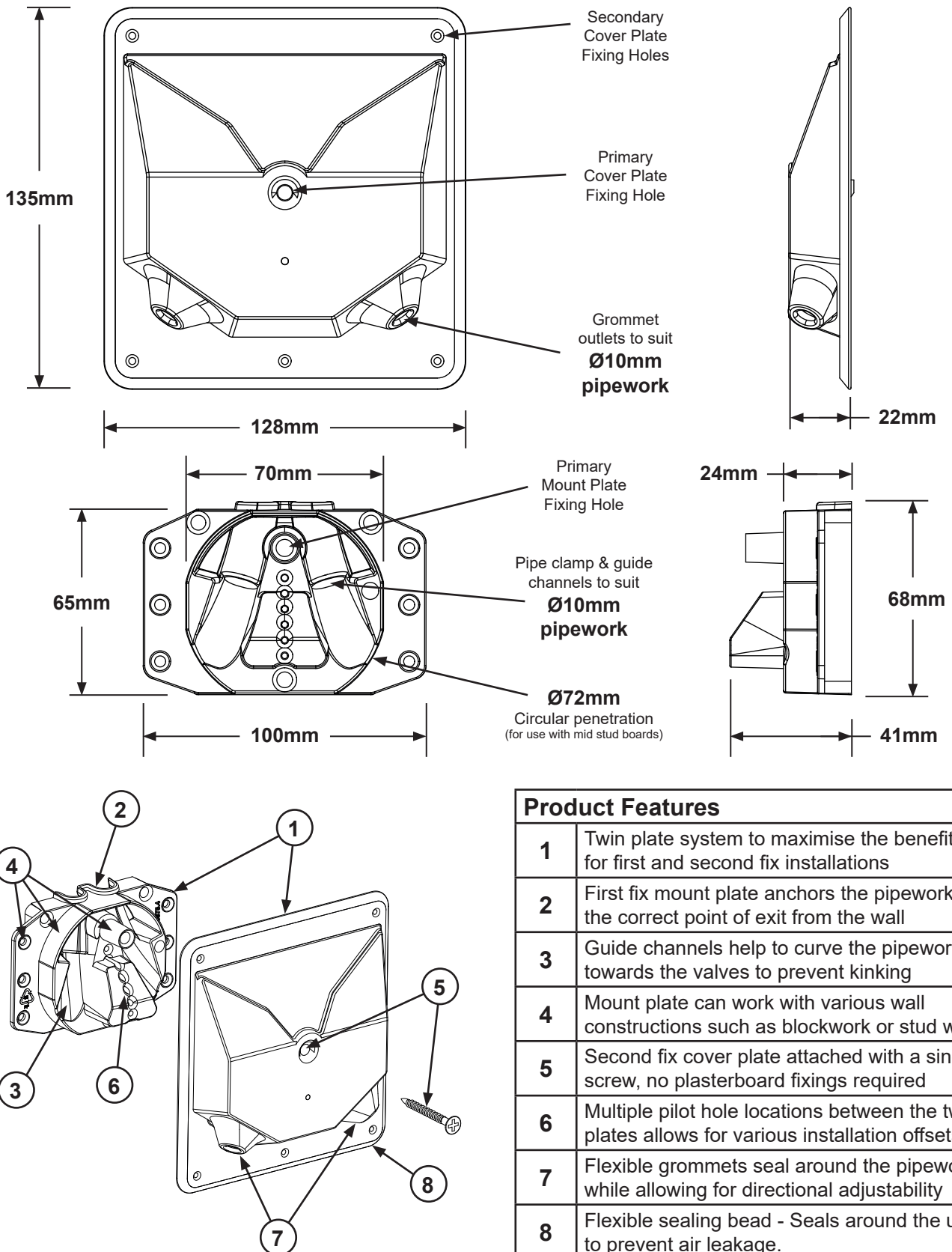
Page 1 of 3

Issue

02

Twin Plate Radiator Pipe Guide & Seal

Code: **GRS-FF**



Product Features	
1	Twin plate system to maximise the benefits for first and second fix installations
2	First fix mount plate anchors the pipework at the correct point of exit from the wall
3	Guide channels help to curve the pipework towards the valves to prevent kinking
4	Mount plate can work with various wall constructions such as blockwork or stud walls
5	Second fix cover plate attached with a single screw, no plasterboard fixings required
6	Multiple pilot hole locations between the two plates allows for various installation offsets
7	Flexible grommets seal around the pipework while allowing for directional adjustability
8	Flexible sealing bead - Seals around the unit to prevent air leakage.

MANTHORPE BUILDING PRODUCTS LTD
 MANTHORPE HOUSE
 BRITAIN DRIVE
 CODNOR GATE BUSINESS PARK
 RIPLEY
 DERBYSHIRE DE5 3ND

TEL: 01773 303 000
 FAX: 01773 303 300
 EMAIL: mbp.care@manthorpebp.co.uk
 WEB: www.manthorpebp.co.uk

DRAWN	ISSUE DRAWN
B.H. 06/01/23	B.H. 14/02/25
The company maintains a policy of continuous development of its product range and reserves the right to amend the specification without notice.	

DRG No

MBP 8378

Page 2 of 3

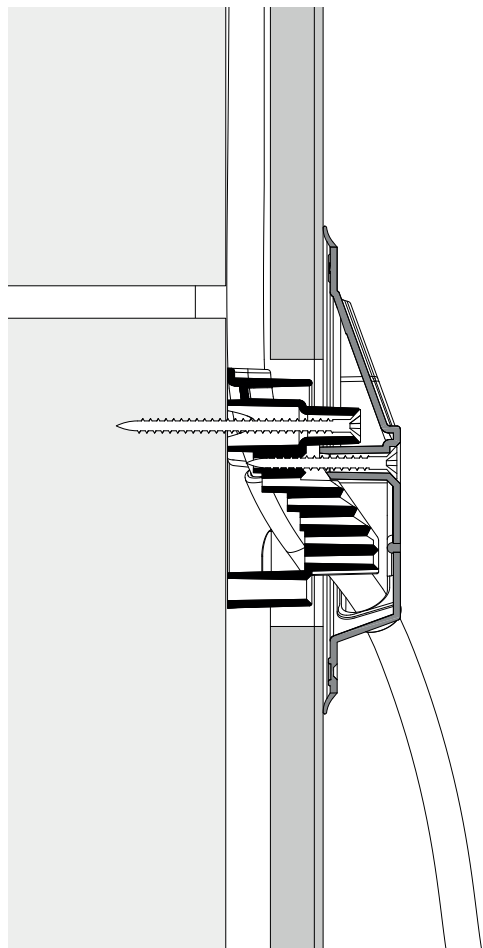
Issue

02

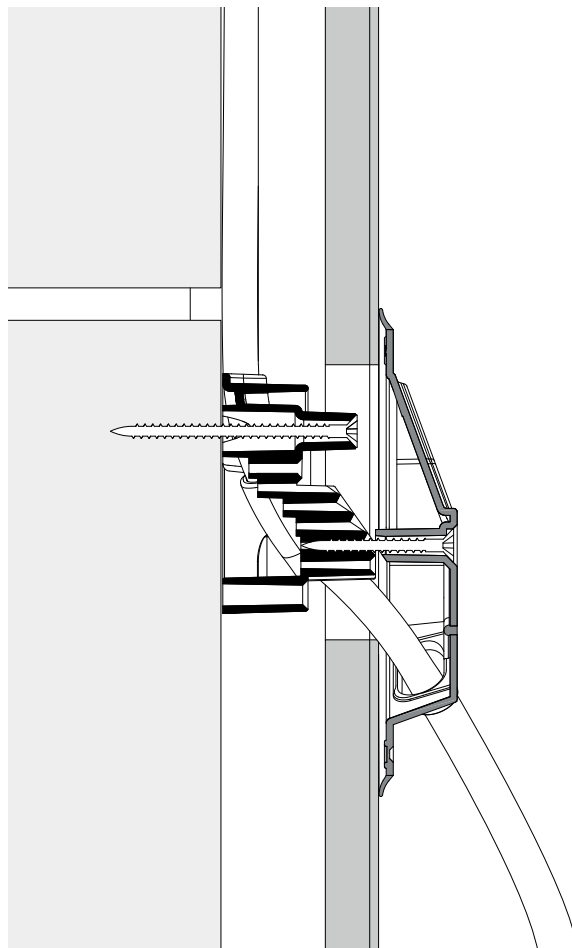
Twin Plate Radiator Pipe Guide & Seal

Code: **GRS-FF**

The versatility of the twin plate system allows it to be installed with a wide range of plasterboard offsets, the mount plate offers a series of fixing locations to allow the system to be fitted securely with increasing offset distances whilst maintaining the minimum bend radius of the pipe run.



Minimum Plasterboard Void Offset
12mm



Larger Plasterboard Void Offsets
>12mm (Illustrative 30mm)

Components within the GRS-FF system:

Note: Screw fixings for both the mount and cover plate not included.

Mount Plate

Installation Point:
1st Fix

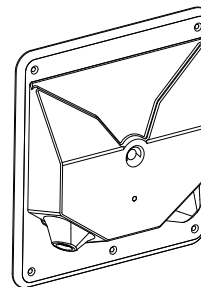
Box Qty: **20**



Cover Plate

Installation Point:
2nd Fix

Box Qty: **20**



MANTHORPE BUILDING PRODUCTS LTD
MANTHORPE HOUSE
BRITAIN DRIVE
CODNOR GATE BUSINESS PARK
RIPLEY
DERBYSHIRE DE5 3ND

TEL: 01773 303 000
FAX: 01773 303 300
EMAIL:
mbp.care@manthorpebp.co.uk
WEB:
www.manthorpebp.co.uk

DRAWN	ISSUE DRAWN
B.H. 06/01/23	B.H. 14/02/25

The company maintains a policy of continuous development of its product range and reserves the right to amend the specification without notice.

DRG No

MBP 8378

Page 3 of 3

Issue

02