

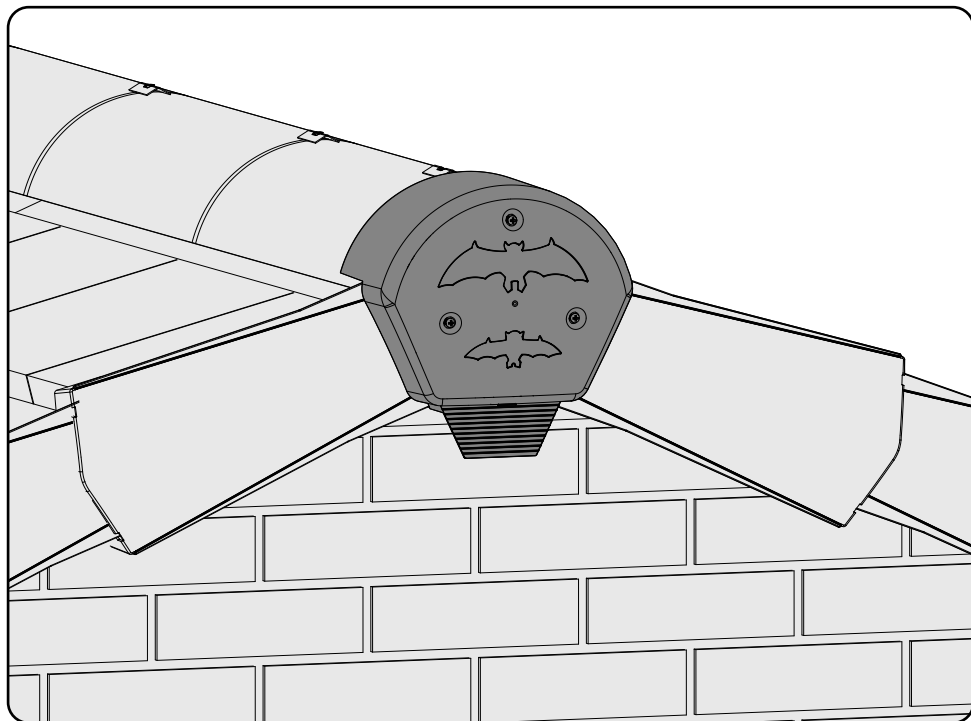
Manthorpe

Bat Ridge Roost

Fitting Guide

Code: GBAT-R

MBP_GU_1338_01



In partnership with the

Bat Conservation Trust

www.bats.org.uk



Bat Ridge Roost

Suitable roosting sites have declined in volume over recent years, but bats have an important place in the UK ecosystem. Bats are a protected species and conservation efforts are being made to preserve their roosts and habitats.

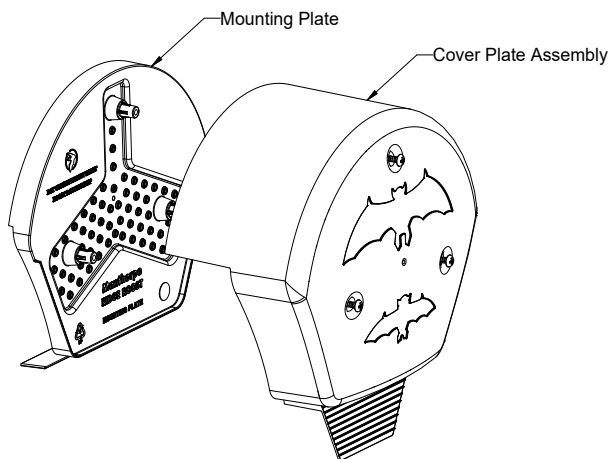
The Bat Ridge Roost, is a self contained habitat installed at the end of a ridge for the purpose of providing a suitable roosting site for small crevice-dwelling bat species such as common or soprano pipistrelles.

The roost is most likely to be used from March to October by small numbers of bats active during the period of the year between hibernation, when they require a safe place from which to forage in our towns and cities. Bats consume insects that are attracted to the vegetation and water in and around our gardens and landscapes. These provide food for the bats and contribute to a rich bio-diversity in our urban landscape.

The Bat Ridge Roost has been specifically designed in partnership with the Bat Conservation Trust (BCT). The product is a self contained, externally installed unit which offers no means of access for the bats to enter the property or the roof void. The habitat has been tested with the BCT and Reading University, to provide a secure, accessible and trusted environment for the bats to use as a roost.

System Components

The habitat is integrated within the cover plate assembly.



Compatibility

Optimised for use with the Manthorpe GPPV range of handed and ambidextrous dry verge systems.

The Bat Ridge Roost is also able to be used with other dry verge units not stated, including non-Manthorpe products, however there might be a potential shadow cosmetic line between the ridge roost product and the dry verge in these instances.

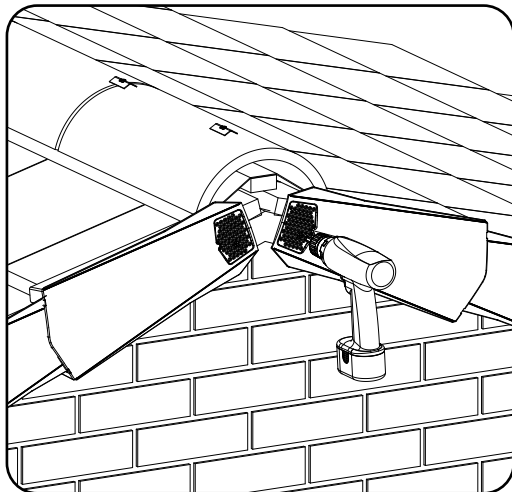
Appearance compromises may be visible between the product and the gable verge.

Preparation

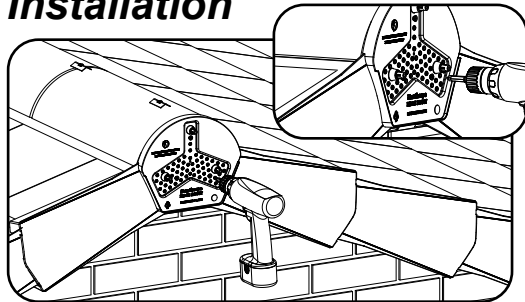
Prepare the gable verge and ridge prior to installing the Bat Ridge Roost

Prepare the roof in line with fitting instructions for the finished detail of the verge and ridge. For a dry ridge system, follow the manufacturers installation instructions to the end of the gable, ensuring the final ridge tile is secured in place. For traditional verge details, ensure the substrate is sufficient for a robust fixing. The Bat Ridge Roost can now be installed to the roof as prepared.

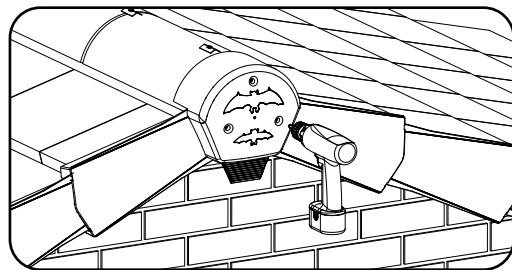
Note: The apex should ideally be greater than 4m from the ground.



Installation



1. Fit the Mounting Plate onto the ridge end by aligning it with the ridge tile. Ensure the Mounting Plate is tight against the dry verge and clip in the tabs under the dry verge. Using two or more stainless steel fixings, secure the Mounting Plate into the longitudinal battens and the end of the ridge batten (where possible).

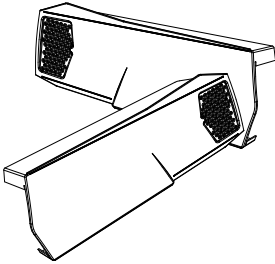


2. Slide the Cover Plate assembly over the Mounting Plate and line up the edges. Ensure it is fully in position before fastening the three pre-assembled screws to fix the plate securely into place.

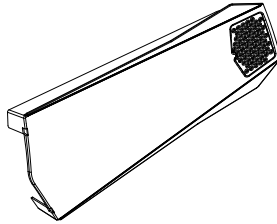
For further advice on maintaining and protecting a bat roost please contact the site ecologist or check out the BCT website:

www.bats.org.uk/advice

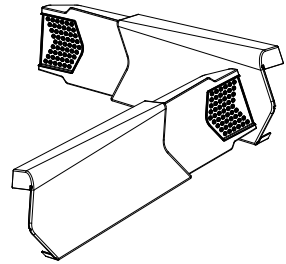
Dry Verge Systems available:



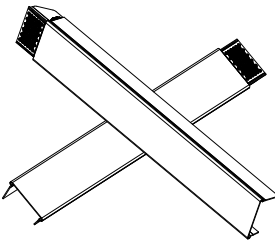
GPPV SmartVerge
(PP Handed)



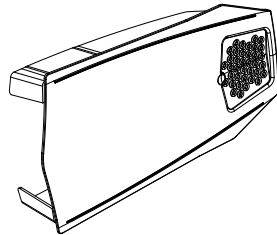
GPPV-AMBI SmartVerge
(PP Ambidextrous)



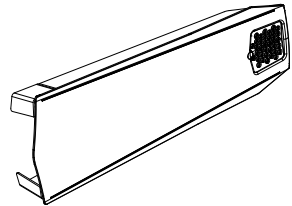
GDV SmartVerge
(PVCu Handed)



GLV Linear Verge
(PVCu Handed)



GPPV-IPT
(PP Interlocking
Plain Tile)



GPPV-TLE
(PP Thin Leading Edge)

Other products from the Manthorpe Range include Cavity Trays, Cavity Closers, Loft Doors, Access Panels, Roof Ventilation, Through Wall Ventilation, Drainage Channels, Dry Fix Roofing and Air Leakage Products.



Manthorpe Building Products Limited

Manthorpe House, Brittain Drive, Codnor Gate Business Park, Ripley, Derbyshire DE5 3ND

T: (01773) 303 000 F: (01773) 303 300 E: mbp.care@manthorpebp.co.uk

W: <https://www.manthorpebp.co.uk>