

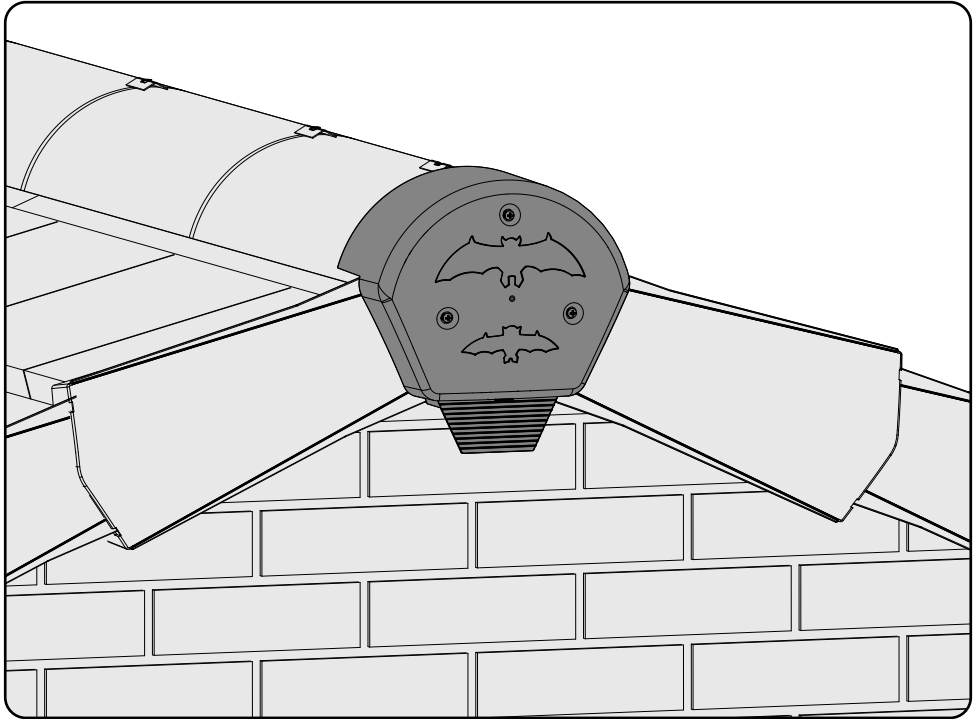
# Manthorpe

## Bat Ridge Roost

### Ecologist Guide

Code: GBAT-R

MBP\_GU\_1356\_01



In partnership with the

Bat Conservation Trust

[www.bats.org.uk](http://www.bats.org.uk)



# Bat Ridge Roost

Suitable roosting sites have declined in volume over recent years, but bats have an important place in the UK ecosystem. Bats are a protected species and conservation efforts are being made to preserve their roosts and habitats.

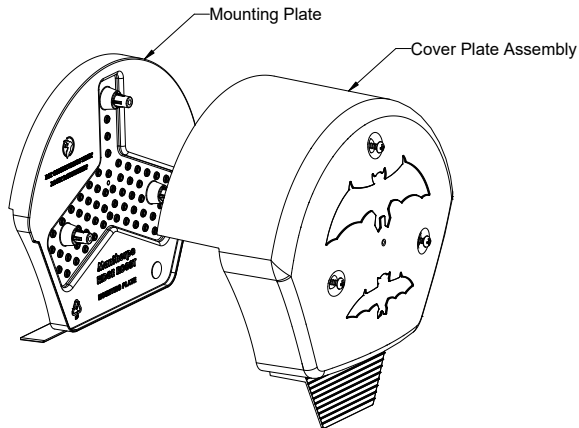
The Bat Ridge Roost, is a self contained habitat installed at the end of a ridge for the purpose of providing a suitable roosting site for small crevice-dwelling bat species such as common or soprano pipistrelles.

The roost is most likely to be used from March to October by small numbers of bats active during the period of the year between hibernation, when they require a safe place from which to forage in our towns and cities. Bats consume insects that are attracted to the vegetation and water in and around our gardens and landscapes. These provide food for the bats and contribute to a rich bio-diversity in our urban landscape.

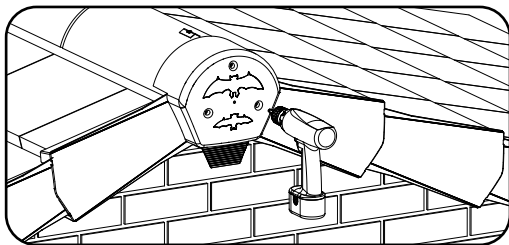
The Bat Ridge Roost has been specifically designed in partnership with the Bat Conservation Trust (BCT). The product is a self contained, externally installed unit which offers no means of access for the bats to enter the property or roof void. The habitat has been tested with the BCT and Reading University, to provide a secure, accessible and trusted environment for the bats to use as a roost.

## System Components

The habitat is integrated within the cover plate assembly.

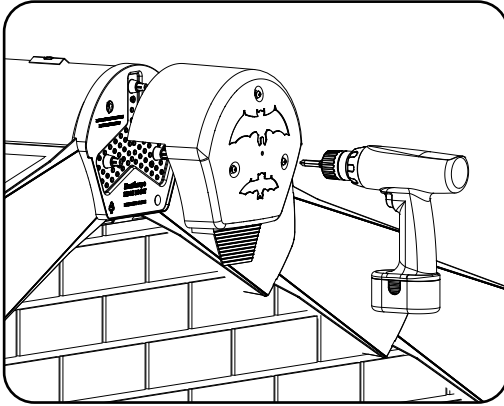


## Installation



For fitting instructions please see the fitting guide (GU\_1338).

## Detaching the Cover Plate Assembly



1. If you need to detach the Cover Plate Assembly, ensure the Bat Ridge Roost is not in active use. This will be most common between March and October. To detach the Cover Plate Assembly, unscrew all three screws until they are flush with the front of the Cover Plate. Do not unscrew fully as this will dismantle the assembly. Slide off the Cover Plate Assembly from the Mounting Plate.

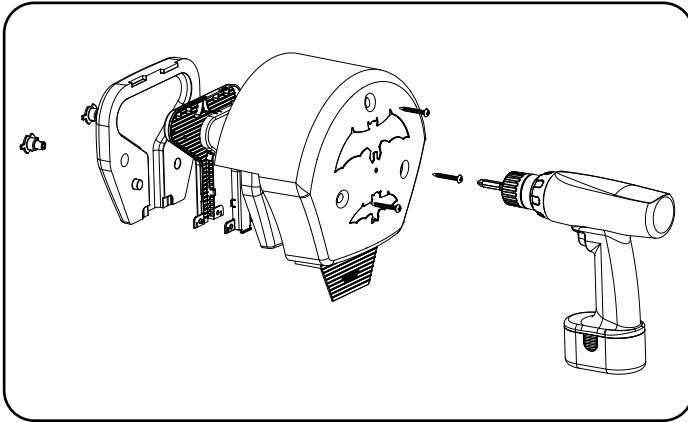
2. Unscrew the Mounting Plate from the roof structure.

## Disassembling the Cover Plate Assembly

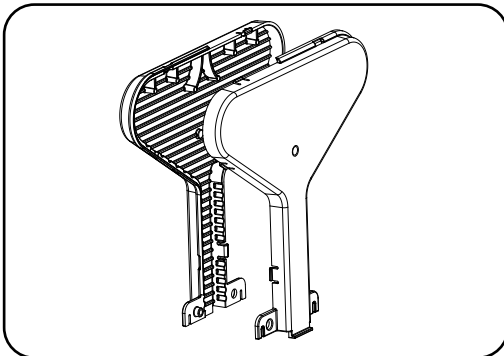
Only licensed bat handlers should disassemble the Cover Plate assembly.

Bats are fully protected under UK legislation:

[www.bats.org.uk/advice/bats-and-the-law](http://www.bats.org.uk/advice/bats-and-the-law)



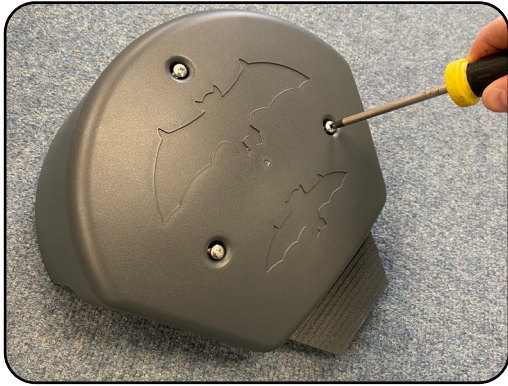
1. Detach the Cover Plate assembly as instructions above. Then unscrew fully the two middle screws on the outside of the cover plate. Turn the cover plate over and remove the fastener washers holding the insulation in place. Remove the insulation and the habitat.



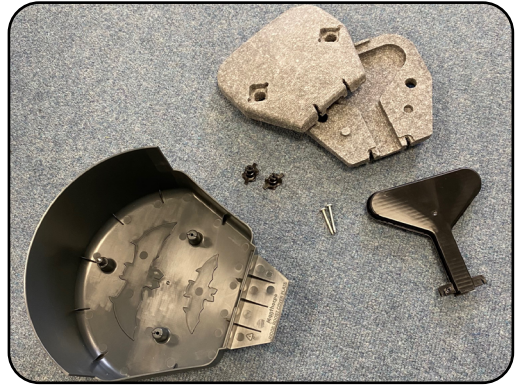
2. Prize the habitat apart from the entrance while unclip the six small clips on the outside of the Y shaped habitat.

Carefully take the two sections apart to inspect the inside.

# Cover Plate Disassembly - Pictures



1. To disassemble the cover plate, use a screwdriver to unscrew the two middle screws completely.



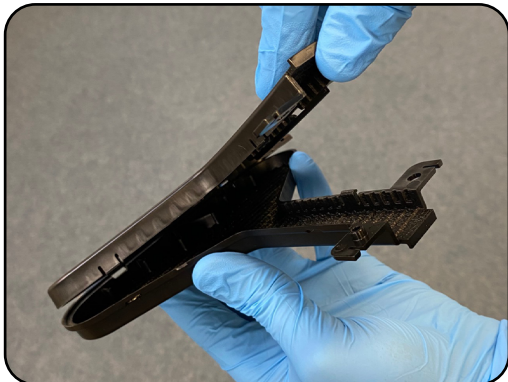
2. Take out the components and keep these safe for reassembling.



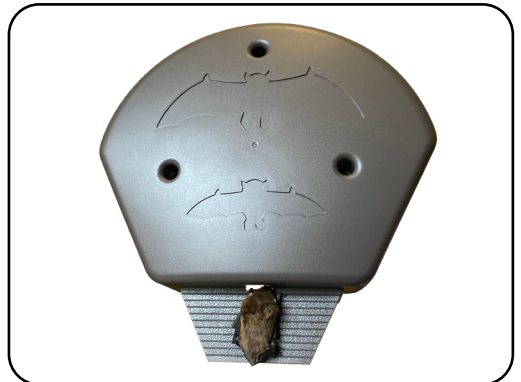
3. Please use PPE. Take the habitat out of the insulation sandwich and open from the end.



4. Unclip the 6 clips all the way round as you carefully take the two pieces apart. Care should be taken.

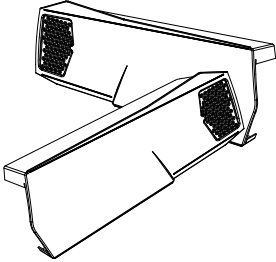


Note: Bats, if present, will probably be found in the top corners of the Y shape, facing towards the entrance.

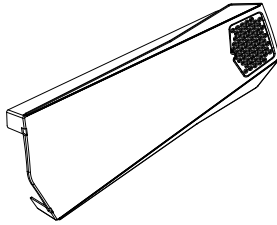


Note: Bats will use the landing plate to enter and exit the roost.

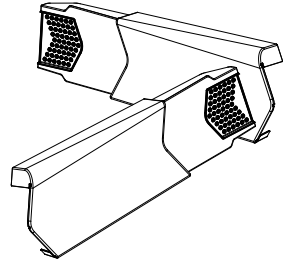
**Dry Verge Systems available:**



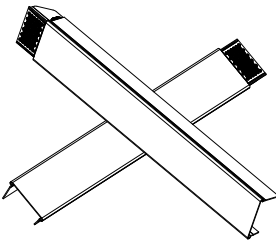
**GPPV SmartVerge**  
(PP Handed)



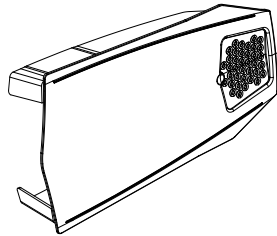
**GPPV-AMBI SmartVerge**  
(PP Ambidextrous)



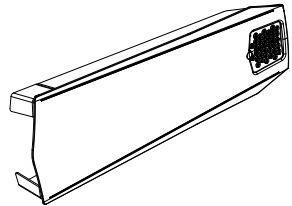
**GDV SmartVerge**  
(PVCu Handed)



**GLV Linear Verge**  
(PVCu Handed)



**GPPV-IPT**  
(PP Interlocking  
Plain Tile)



**GPPV-TLE**  
(PP Thin Leading Edge)

Other products from the Manthorpe Range include Cavity Trays, Cavity Closers, Loft Doors, Access Panels, Roof Ventilation, Through Wall Ventilation, Drainage Channels, Dry Fix Roofing and Air Leakage Products.



**Manthorpe Building Products Limited**

Manthorpe House, Brittain Drive, Codnor Gate Business Park, Ripley, Derbyshire DE5 3ND

T: (01773) 303 000 F: (01773) 303 300 E: [mbp.care@manthorpebp.co.uk](mailto:mbp.care@manthorpebp.co.uk)

W: <https://www.manthorpebp.co.uk>